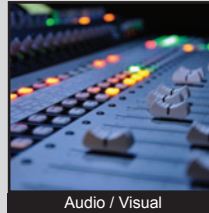


PVL SERIES PILOT INDICATOR

- ANTI-VANDAL SWITCHES
- DETECTOR SWITCHES
- DIP SWITCHES
- KEYLOCK SWITCHES
- NAVIGATION SWITCHES
- PUSHBUTTON SWITCHES
- ROCKER SWITCHES
- ROTARY SWITCHES
- SLIDE SWITCHES
- SNAP ACTION SWITCHES
- TACTILE SWITCHES
- TOGGLE SWITCHES
- CAP OPTIONS



APPLICATIONS / MARKETS



RoHS

SPECIFICATIONS

Contact Arrangement: Lamp indicator
Operating/Storage Temperature: -25°C to 55°C
Lamp Life: 40,000 Hours Nominal
Ingress Protection: IP67
Panel Thickness: 1-6mm or 1-10mm, (depending on mounting diameter)
Mounting Nut Torque: 5-14Nm

FEATURES & BENEFITS

- Pilot indicator light
- Multiple panel cutout sizes -- 6mm to 19mm dia.
- Multiple illumination voltage options
- Multiple LED color options
- IP67 rated

PART NUMBER CONFIGURATOR

| Series | Indicator Diameter | Lens | Terminal | Body Finish | Lens Color | Illumination Voltage |
|---|---|--------------------------------------|--|--|--|---|
| <input type="checkbox"/> <input type="checkbox"/> <input type="checkbox"/> PVL | <input type="checkbox"/> <input type="checkbox"/> 06 - 6mm Dia. 08 - 8mm Dia. 10 - 10mm Dia. 12 - 12mm Dia. 14 - 14mm Dia. 16 - 16mm Dia. 19 - 19mm Dia. | <input type="checkbox"/> F - Flat | <input type="checkbox"/> L - Solder Lug | <input type="checkbox"/> S - Stainless Steel 1 - Black | <input type="checkbox"/> 1 - Red 3 - Green 4 - Blue | <input type="checkbox"/> 1 - Base Voltage* 3 - 6V 4 - 12V 5 - 24V 6 - 110V |

NOTES:

* Base voltage on LEDs:
 1.8V @ 20mA for Red, Yellow and Orange LED colors
 2.8V @ 20mA for Blue, Green and White LED colors

Specifications subject to change without notice



E-SWITCH®

www.e-switch.com

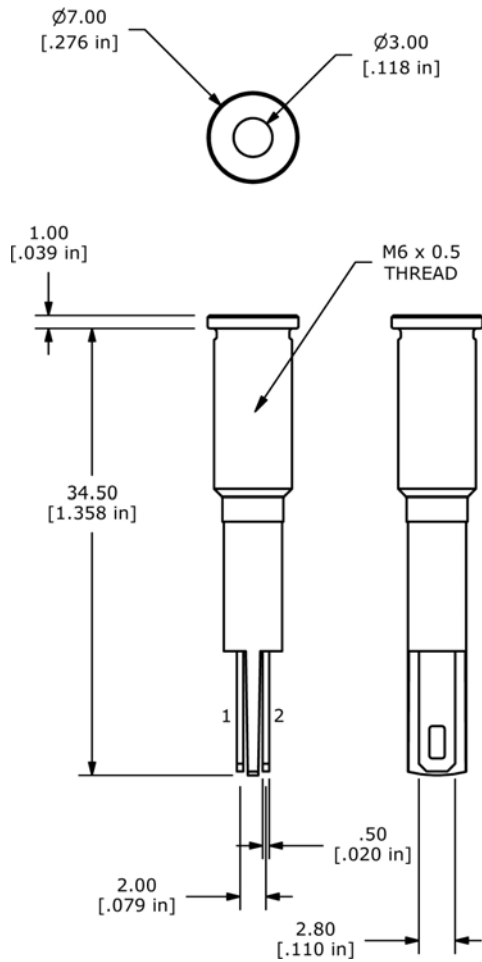
800.867.2717

2

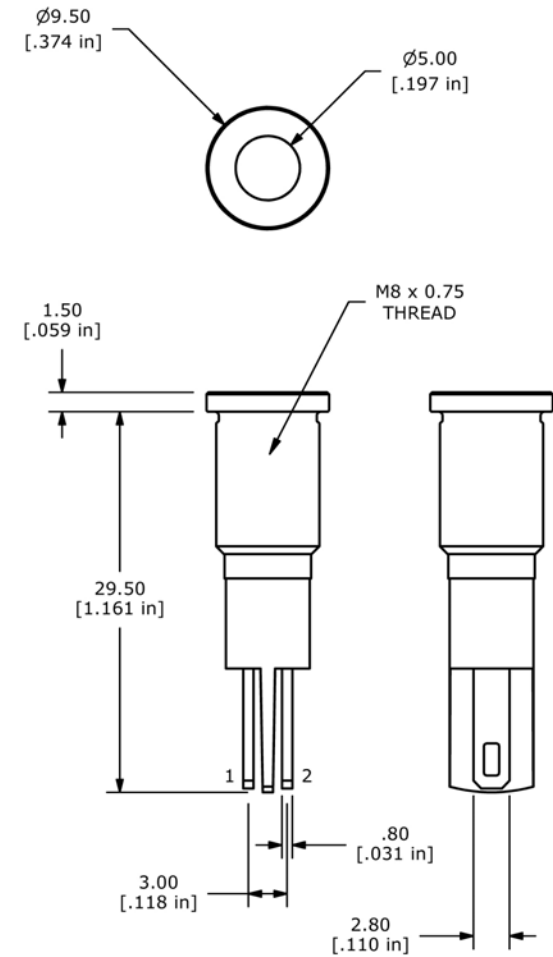
PVL SERIES PILOT INDICATOR

BODY DIMENSIONS

PVL06



PVL08



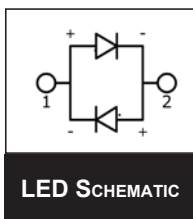
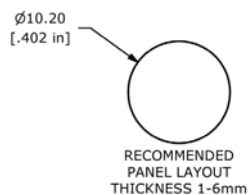
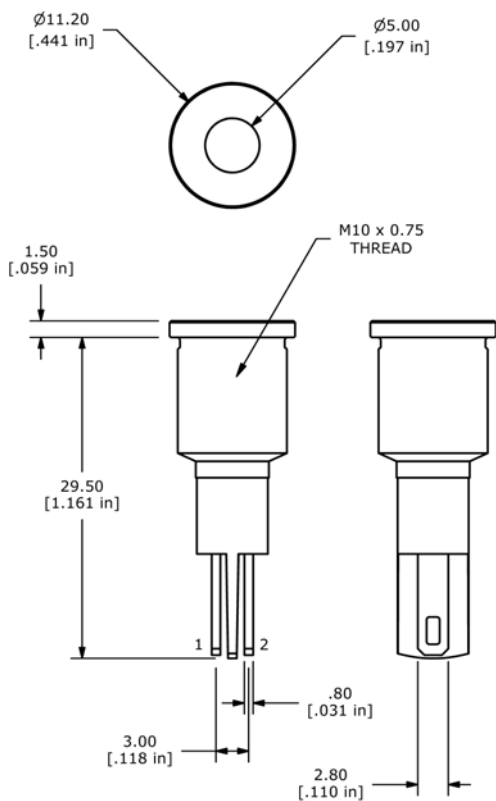
- ANTI-VANDAL SWITCHES
- DETECTOR SWITCHES
- DIP SWITCHES
- KEYLOCK SWITCHES
- NAVIGATION SWITCHES
- PUSHBUTTON SWITCHES
- ROCKER SWITCHES
- ROTARY SWITCHES
- SLIDE SWITCHES
- SNAP ACTION SWITCHES
- TACTILE SWITCHES
- TOGGLE SWITCHES
- CAP OPTIONS



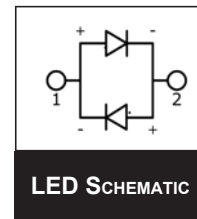
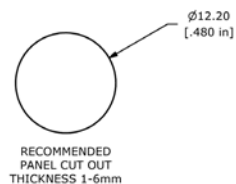
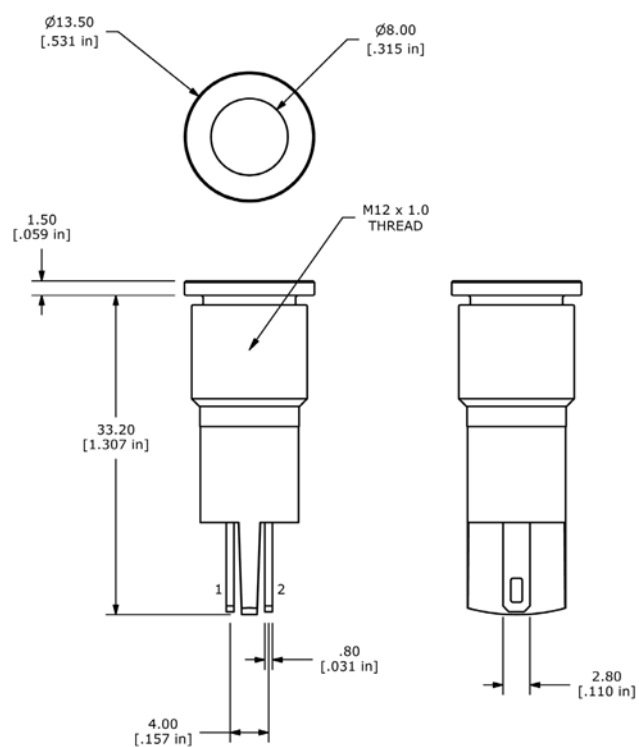
PVL SERIES PILOT INDICATOR

BODY DIMENSIONS

PVL10



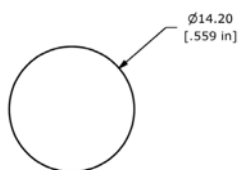
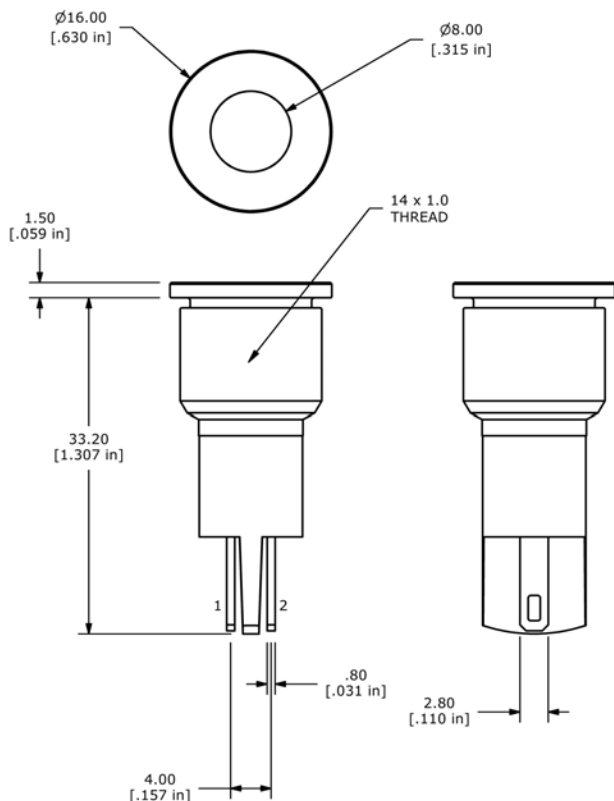
PVL12



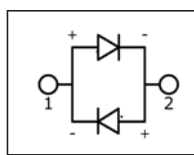
PVL SERIES PILOT INDICATOR

BODY DIMENSIONS

PVL14

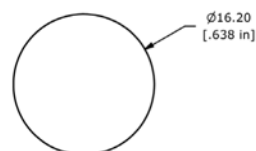
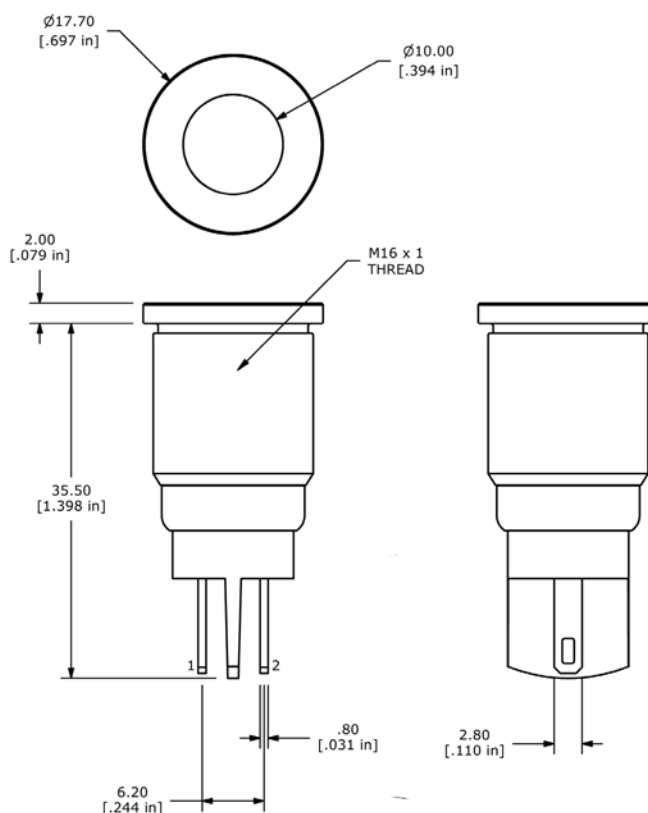


RECOMMENDED
PANEL CUT OUT
THICKNESS 1-6mm

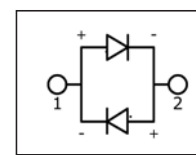


LED SCHEMATIC

PVL16



RECOMMENDED
PANEL MOUNTING
THICKNESS 1-10mm



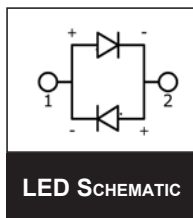
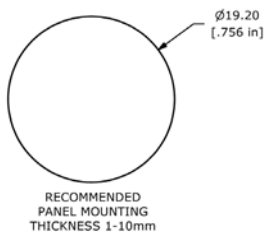
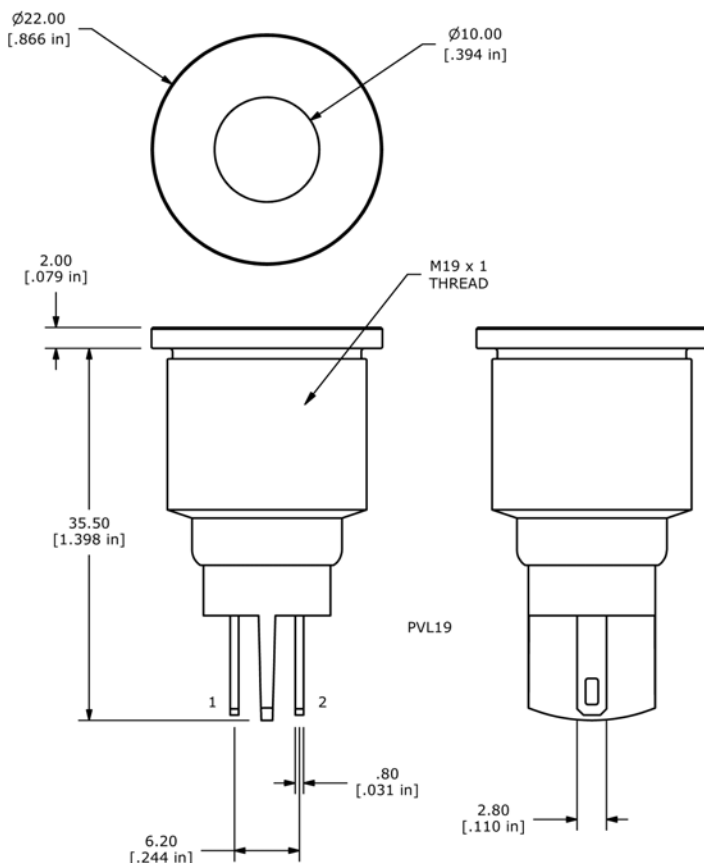
LED SCHEMATIC



PVL SERIES PILOT INDICATOR

BODY DIMENSIONS

PVL19



- ANTI-VANDAL SWITCHES
- DETECTOR SWITCHES
- DIP SWITCHES
- KEYLOCK SWITCHES
- NAVIGATION SWITCHES
- PUSHBUTTON SWITCHES
- ROCKER SWITCHES
- ROTARY SWITCHES
- SLIDE SWITCHES
- SNAP ACTION SWITCHES
- TACTILE SWITCHES
- TOGGLE SWITCHES
- CAP OPTIONS

