

PART NAME: STANDOFF

SCALE: 4:1

DATE: 10/12/16

DR. BY: JAM

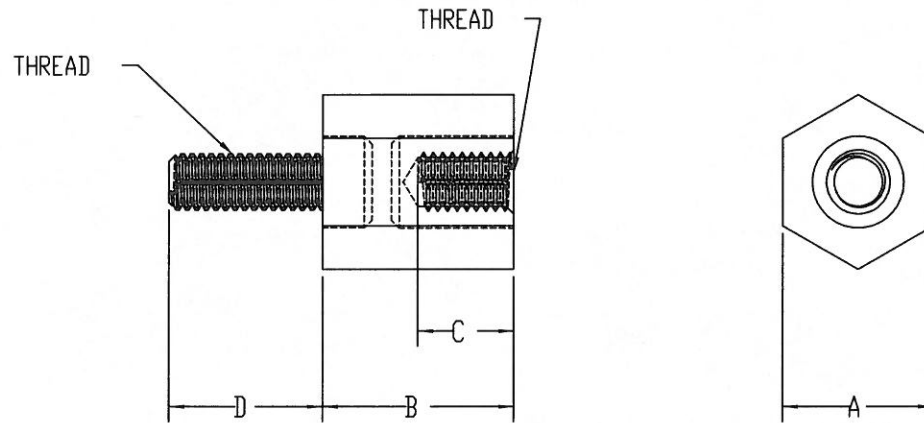
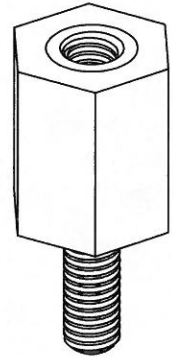


P/N:

SH1000

THIS DRAWING IS THE PROPERTY OF DAVIES MOLDING COMPANY, IS SUBMITTED SOLELY AS A DESIGN OR ENGINEERING PROJECT WE ACCEPT NO RESPONSIBILITY WHATSOEVER FOR THE PRACTICAL APPLICATION OF THE PIECES MADE TO THIS DESIGN.

DAVIES PART #	THREAD	A	B	C	D
SH1000-A	M3	8	10	5	8
SH1000-B	M3	8	12	5	8
SH1000-C	M3	8	15	8.5	8
SH1000-D	M3	8	20	8.5	8
SH1000-E	M3	8	25	8.5	8
SH1000-F	M3	8	30	8.5	8
SH1000-G	M3	8	35	8.5	8
SH1000-H	M3	8	40	8.5	8
SH1000-J	M3	8	45	8.5	8
SH1000-K	M3	8	50	8.5	8
SH1000-L	M3	8	55	8.5	8
SH1000-M	M3	8	60	8.5	8
SH1000-N	M3	8	65	8.5	8
SH1000-P	M3	8	70	8.5	8
SH1000-Q	M3	8	75	8.5	8
SH1000-R	M3	8	80	8.5	8
SH1000-S	M3	8	85	8.5	8



MATERIAL: NYLON  
 COLOR: BLACK

STUD: STEEL  
 INTERNAL INSERT: BRASS