

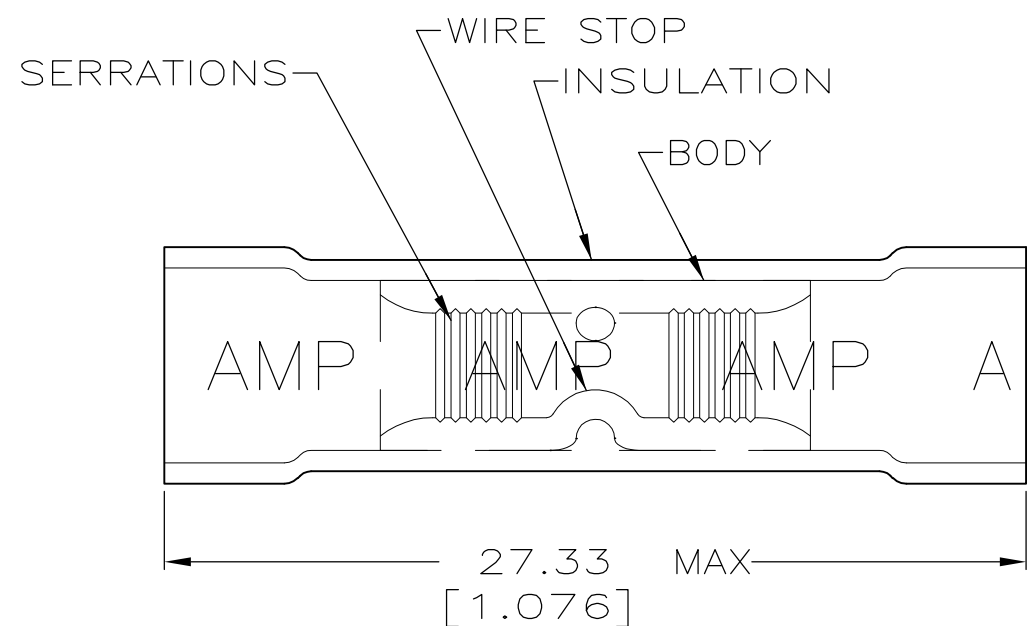




THIS DRAWING IS UNPUBLISHED. RELEASED FOR PUBLICATION
 © COPYRIGHT - FGF ALL RIGHTS RESERVED.


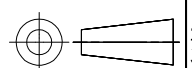
LOC	DIST	REVISIONS					
		P	LTR	DESCRIPTION	DATE	DWN	APVD
G	14		T2	REVISED PER ECO-11-004587	11MAR11	RK	HMR

AMP WIRE RANGE	 E13288	 LR7189 Certified
22-16 AWG SOLID OR STRANDED	22-16 AWG SOLID OR STRANDED	22-16 AWG SOLID OR STRANDED



1. WIRE INSUL DIA,
2.67-3.56 [.105-.140]
-  PRELIMINARY - NOT FOR PRODUCTION.

10,000	LOOSE PIECE, BULK	 34070-3
50	LOOSE PIECE, BAG	8-34070-5
5	LOOSE PIECE, BLS	8-34070-4
100	LOOSE PIECE, BOX	8-34070-1
2500	ON TAPE, REEL	1-34070-1
1000	LOOSE PIECE	34070
QTY	PACKAGE TYPE	PART NO

AMP INCORPORATED CUSTOMER SERVICE SYSTEM		MAX RECOMMENDED OPERATING TEMPERATURE: 90° C [194° F]	THIS DRAWING IS A CONTROLLED DOCUMENT.		DWN M ELLIS 19JUL95	 TE Connectivity				
FOR ADDITIONAL PRODUCT INFORMATION OR COPIES OF DRAWINGS AND TECHNICAL DOCUMENTS	PRODUCT INFORMATION CENTER 1-800-522-6752		VOLTAGE RATING: 600V MAX 1000V (FIXTURES OR SIGNS)	DIMENSIONS: mm [INCHES]	TOLERANCES UNLESS OTHERWISE SPECIFIED:					CHK C PRESNELL 19JUL95
FOR APPLICATION TOOLING INFORMATION	TOOLING ASSISTANCE CENTER 1-800-722-1111	CIRCULAR MIL AREA: 0.26mm ² -1.65mm ² [509-3260]		0 PLC ± -	APVD S BORTNER 19JUL95	PRODUCT SPEC				
FOR ORDER ENTRY	1-800-526-5142			1 PLC ± -	2 PLC ± -	3 PLC ± -	4 PLC ± -	ANGLES ± -	APPLICATION SPEC	
			MATERIAL BODY, CU ASTM B 152 SLV, PVC, COLOR,RED	FINISH TIN PLATE PER MIL-T-10727	WEIGHT -	SIZE A3	CAGE CODE 00779	DRAWING NO C-34070	RESTRICTED TO -	
CUSTOMER DRAWING					SCALE 4:1	SHEET 1 OF 1	REV T2			