

4

3


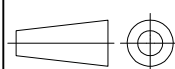
2

1

THIS DRAWING IS UNPUBLISHED. RELEASED FOR PUBLICATION
 © COPYRIGHT By - ALL RIGHTS RESERVED.

LOC		DIST		REVISIONS			
P	LTR	DESCRIPTION		DATE	DWN	APVD	
	K	REVISED	ECR-14-013130	02DEC2014	I.T	W.H	

OBSOLETE

THIS DRAWING IS A CONTROLLED DOCUMENT.		DWN	J.TANIGAWA	28MAY88	 TE Connectivity		
DIMENSIONS: mm		CHK	S.KIKUCHI	30MAY88			
		APVD	N.ONOUE	30MAY88	NAME		
TOLERANCES UNLESS OTHERWISE SPECIFIED: 0-PLC ± 1-PLC ± 2-PLC ± 3-PLC ± 4-PLC ± ANGLES ±		PRODUCT SPEC		ON TAPING (EMBOSS)1.25 F-P CONNECTOR (B-TO-B) DOUBLE ROW REC HDR ASS'Y (H) SMT TYPE WITH BOSS			
MATERIAL		APPLICATION SPEC		RESTRICTED TO		-	
FINISH		WEIGHT		SIZE	CAGE CODE	DRAWING NO	
		CUSTOMER DRAWING		A3	00779	C-175639	
				SCALE	SHEET	REV	
				NON	1 OF 1	K	