
1200-14000 BTU/H Indoor Air Conditioner *DTT Series*

Type 12, Top Mounting

Description



- Designed for top mounting where space limitations do not allow side mounting on the enclosure surface.
- Closed loop cooling ensures clean enclosure air is recirculated without ever mixing with contaminated ambient air.
- Excellent security level due to patented condensate management system, which prevents condensate from penetrating the enclosure.
- High reliability and long maintenance intervals
- Quick release mounting frame

Standards

- Maintains NEMA 12 rating
- IP 54
- UR, cUR and CE

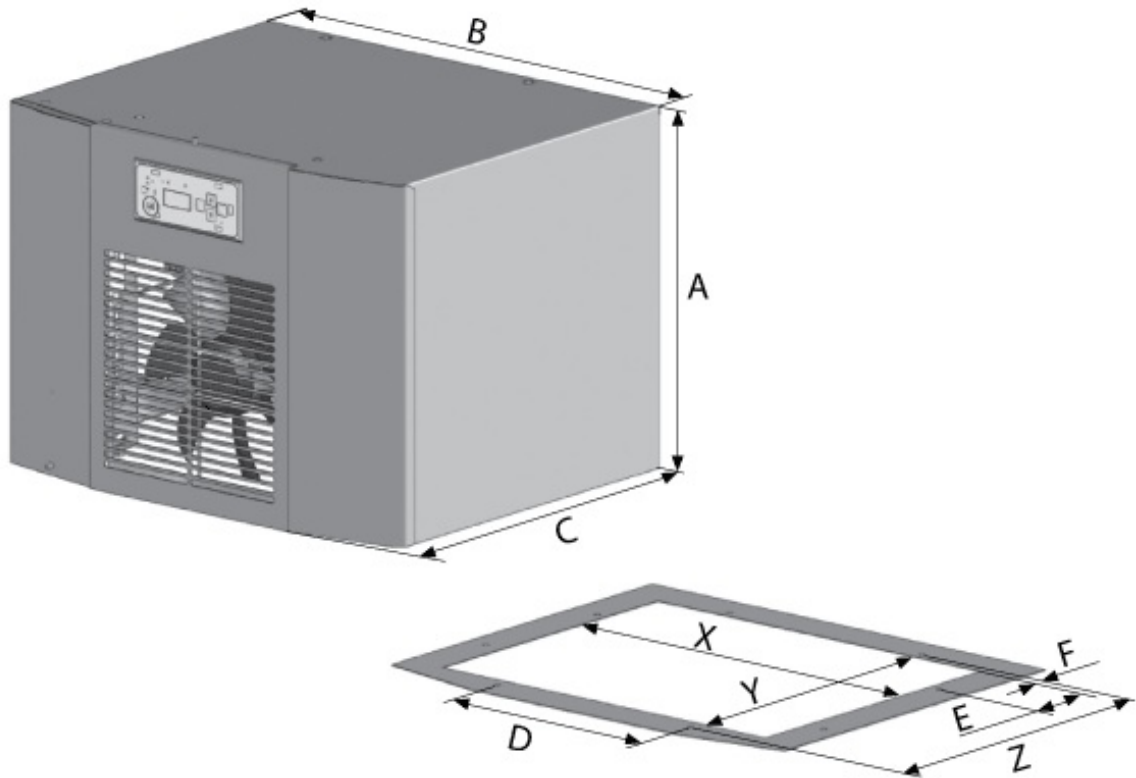
Features

- R134a refrigerant.
- Thermostat control accessible from inside enclosure.
- Hot gas bypass valve prevents evaporator freeze up while minimizing heavy inrush currents on large BTU/H units.
- Built in condensate evaporator.
- Continuous air circulation from high capacity fans.
- EMI/RFI suppression meets CE.
- Self-diagnostics on startup.
- Fault indication via LED light.
- Provision for door contact allowing power down when enclosure door is opened.
- Gasket, mounting kit and template for enclosure cutout and drilling are included.
- Condensate drain hose and clamp provided.

Accessories

- Remote Door Switches
- Condensate Bottle





Part Number	A	B	C	D	E	F	X	Y	Z	Ship Wt. Lbs.
DTT6101A115LG	17.00	23.40	15.60	11.50	3.30	0.55	18.70	10.20	11.90	80
DTT6101A230LG	17.00	23.40	15.60	11.50	3.30	0.55	18.70	10.20	11.90	80
DTT6201A115LG	17.00	23.40	15.60	11.50	3.30	0.55	18.70	10.20	11.90	85
DTT6201A230LG	17.00	23.40	15.60	11.50	3.30	0.55	18.70	10.20	11.90	85
DTT6201A460LG	17.00	23.40	15.60	11.50	3.30	0.55	18.70	10.20	11.90	99
DTT6301A115LG	17.10	23.40	19.50	11.50	10.10	0.45	19.50	15.60	16.50	97
DTT6301A230LG	17.10	23.40	19.50	11.50	10.10	0.45	19.50	15.60	16.50	109
DTT6301A460LG	17.10	23.40	19.50	11.50	10.10	0.45	19.50	15.60	16.50	122
DTT6401A115LG	17.10	23.40	19.50	11.50	10.10	0.45	19.50	15.60	16.50	107
DTT6401A230LG	17.10	23.40	19.50	11.50	10.10	0.45	19.50	15.60	16.50	111
DTT6601A460LG	19.10	31.30	22.60	13.40	7.90	0.55	27.20	15.40	16.50	182
DTT6801A460LG	19.10	31.30	22.60	13.40	7.90	0.55	27.20	15.40	16.50	187

	DTT6101A115LG	DTT6101A230LG	DTT6201A115LG	DTT6201A230LG	DTT6201A460LG
Cooling Capacity (BTU)	1700	1700	3500	3500	3500
Rated Voltage +/- 10%	115	230	115	230	400/460
Frequency	50/60 Hz	50/60 Hz	50/60 Hz	50/60 Hz	50/60 Hz
Power Consumption (W)	569	458/532	877	663/805	706/845
Running Amps	5.2	2.2/2.4	8.05	3.39/3.83	1.5/1.8
Starting Current (A)		23		8.5/9.3	

	DTT6301A115LG	DTT6301A230LG	DTT6301A460LG	DTT6401A115LG	DTT6401A230LG	DTT6401A460LG
Cooling Capacity (BTU)	5100	5100	5100	6800	6800	6800
Rated Voltage +/- 10%	115	230	400/460	115	230	400/460
Frequency	50/60 Hz	50/60 Hz	50/60 Hz	50/60 Hz	50/60 Hz	50/60 Hz
Power Consumption (W)	1027	980/1140	962/1150	1894	1049/1275	1300/1598
Running Amps	10.8	6.3/6.4	3.1/3.2	15.5	5.1/5.5	2.3/2.4

	DTT6301A115LG	DTT6301A230LG	DTT6301A460LG	DTT6401A115LG	DTT6401A230LG	DTT6401A460LG
Starting Current (A)	32	19.7	9.8	34	16.8	41253

	DTT6601A460LG	DTT6801A460LG
Cooling Capacity (BTU)	10000	13600
Rated Voltage +/- 10%	400/460	400/460
Frequency	50/60 Hz	50/60 Hz
Power Consumption (W)	1700/2100	1618/2050
Running Amps	2.45/2.49	3.4/3.5
Starting Current (A)	8.9/9.9	17.1/19.5

All Models	
Electrical Connection	Terminal Block with Plug
Min/Max Ambient Temp	+59...+131 F / +15...+55 C
Exterior Case	Galvanized Sheet Steel Color RAL 7035 Powder Finish

Quick Installation Frame

Part No.	Use with Models	Ship Wt. (lbs)
DTT61016202LG	DTT 6101 / DTT6201	14
DTT63016401LG	DTT 6301 / DTT 6401	14
DTT66016801LG	DTT 6601 / DTT 6801	18

Data subject to change without notice