

1

2

3

4

5

6

7

A

A

B

B

C

C

D

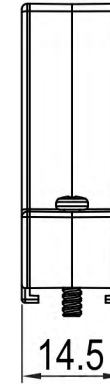
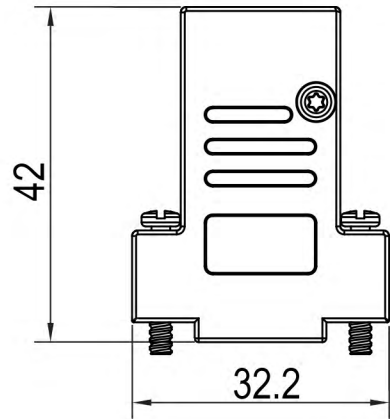
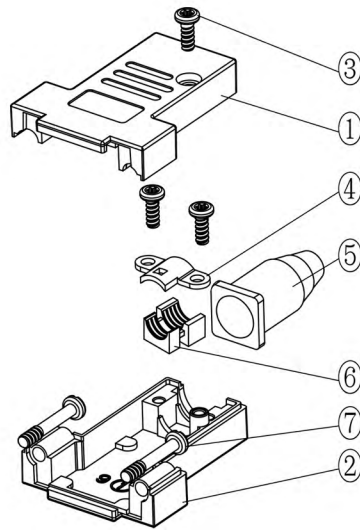
D

E

E

F

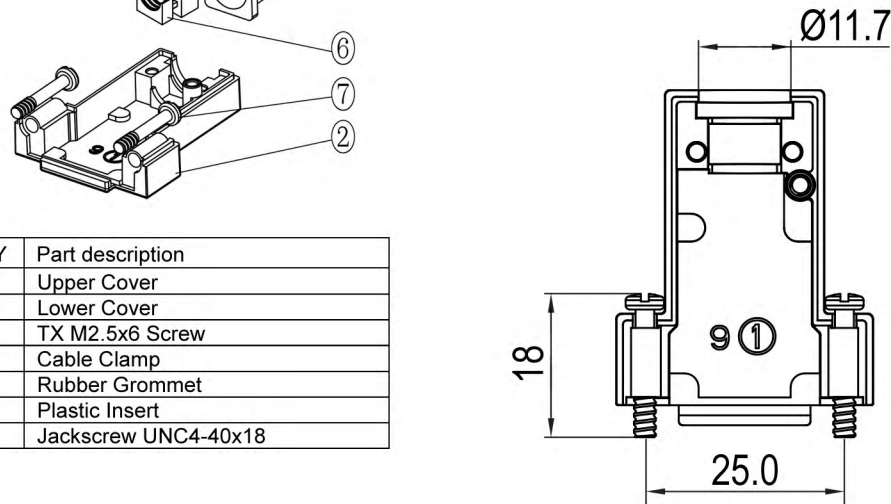
F



TECHNICAL SPECIFICATIONS

Material: Zinc
 Plating: Nickel
 Operating Temperature: -25°C to +90°C
 Jackscrews: UNC 4-40

No. of contacts: 09-15-25-37



Item	QTY	Part description
1	1	Upper Cover
2	1	Lower Cover
3	3	TX M2.5x6 Screw
4	1	Cable Clamp
5	1	Rubber Grommet
6	1	Plastic Insert
7	2	Jackscrew UNC4-40x18

RoHS compliant
 Unit: mm

Scale	Free				Date	Name	Customer-No.	
TOLERANCE					Drawn	17.08.2017	S.Bölling	
0~6	±0.10				Approved	17.08.2017	S.Bölling	
6~30	±0.20							
30~120	±0.30							
120~400	±0.50							
DIM	Tol							
Angle	±1°	Ⓢ	Drawn	17.08.2017				S.Bölling
Angle	Tol	Id.	Modification	Date				Name

ASSMANN WSW-No.
ACOV-SUB-09MB30

Drawing-No.
ASS_5271_CO rev00
 Replace Sheet 1/4

1

2

3

4

5

6

7

SV4382

1

2

3

4

5

6

7

A

A

B

B

C

C

D

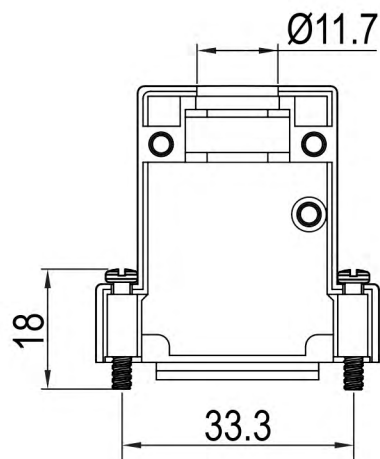
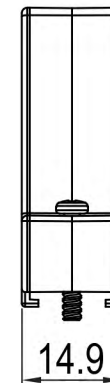
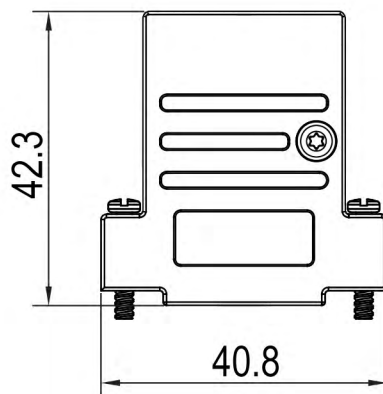
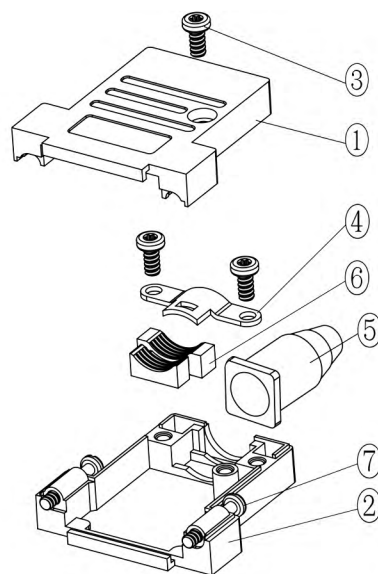
D

E

E

F

F




TECHNICAL SPECIFICATIONS

Material: Zinc
 Plating: Nickel
 Operating Temperature: -25°C to +90°C
 Jackscrews: UNC 4-40

No. of contacts: 09-15-25-37

Item	QTY	Part description
1	1	Upper Cover
2	1	Lower Cover
3	3	M2.5x6 Screw
4	1	Cable Clamp
5	1	Rubber Grommet
6	1	Plastic Insert
7	2	Jackscrew UNC4-40x18

RoHS compliant
 Unit: mm

Scale	Free				Date	Name	Customer-No.	
TOLERANCE					Drawn	17.08.2017	S.Bölling	
0~6	±0.10				Approved	17.08.2017	S.Bölling	
6~30	±0.20							
30~120	±0.30							
120~400	±0.50							
DIM	Tol							
Angle	±1°	©	Drawn	17.08.2017				S.Bölling
Angle	Tol	Id.	Modification	Date				Name

ASSMANN WSW-No.
ACOV-SUB-15MB30

Drawing-No.
ASS_5271_CO rev00
 Replace Sheet 2/4

1

2

3

4

5

6

7

SV4382

1

2

3

4

5

6

7

A

A

B

B

C

C

D

D

E

E

F

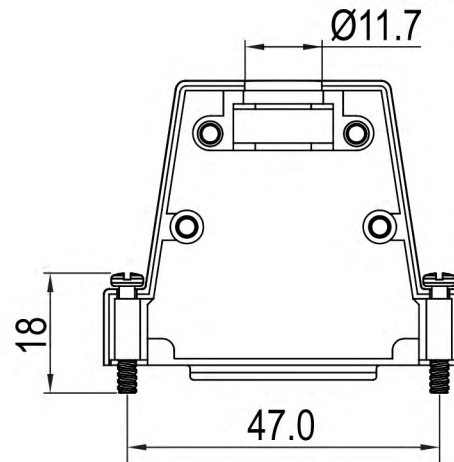
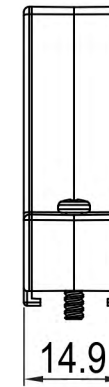
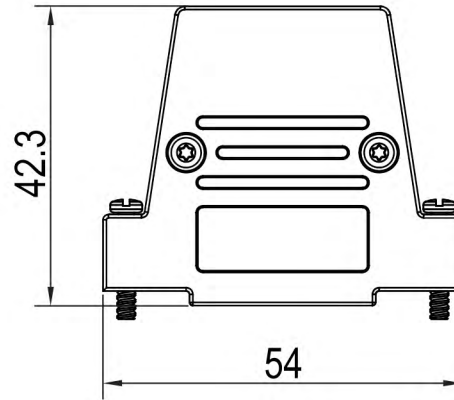
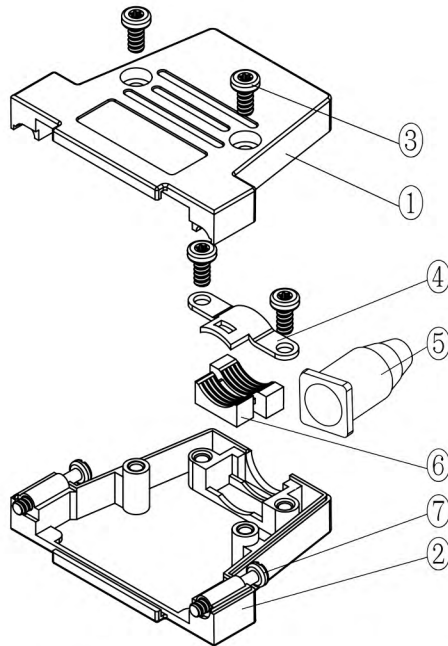
F

G

G

H

H



TECHNICAL SPECIFICATIONS

Material: Zinc
 Plating: Nickel
 Operating Temperature: -25°C to +90°C
 Jackscrews: UNC 4-40

No. of contacts: 09-15-25-37

Item	QTY	Part description
1	1	Upper Cover
2	1	Lower Cover
3	4	M2.5x6 Screw
4	1	Cable Clamp
5	1	Rubber Grommet
6	1	Plastic Insert
7	2	Jackscrew UNC4-40x18

RoHS compliant
 Unit: mm

Scale	Free				Date	Name	Customer-No.
TOLERANCE					Drawn	17.08.2017	S.Bölling
0~6	±0.10				Approved	17.08.2017	S.Bölling
6~30	±0.20						
30~120	±0.30						
120~400	±0.50						
DIM	Tol						
Angle	±1°	©	Drawn	17.08.2017	S.Bölling	ASSMANN WSW components	
Angle	Tol	Id.	Modification	Date	Name	Drawing-No. ASS_5271_CO	rev00 Sheet 3/4

Customer-No.

Date

Name

Approved

17.08.2017

S.Bölling

ASSMANN WSW-No.

ACOV-SUB-25MB30

Drawing-No.

ASS_5271_CO

rev00

Replace

Sheet 3/4

1

2

3

4

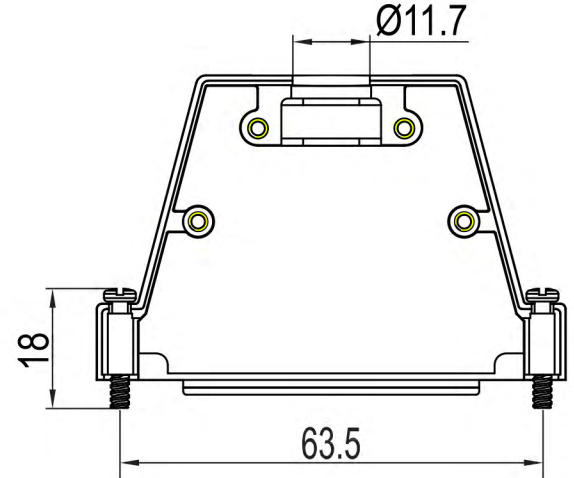
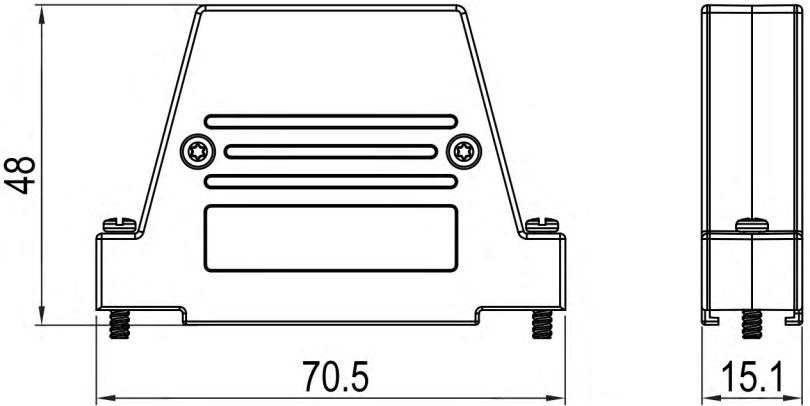
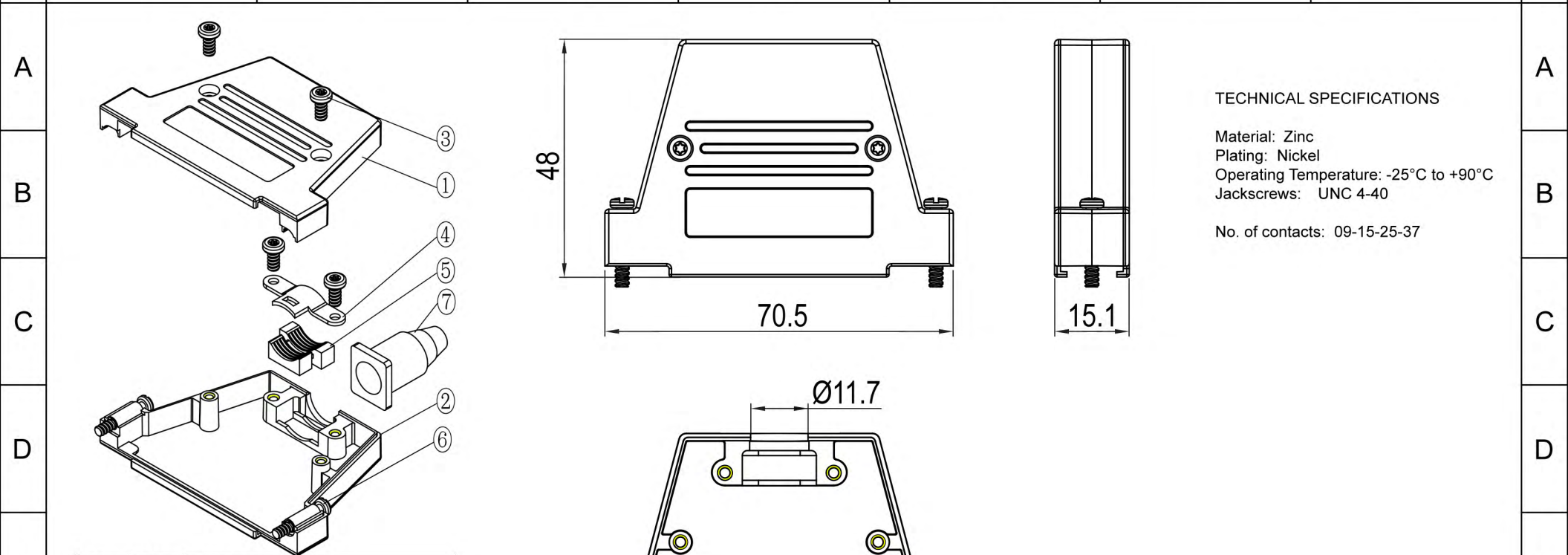
5

6

7

SV4382

1 2 3 4 5 6 7



TECHNICAL SPECIFICATIONS

Material: Zinc
 Plating: Nickel
 Operating Temperature: -25°C to +90°C
 Jackscrews: UNC 4-40

No. of contacts: 09-15-25-37

Item	QTY	Part description
1	1	Upper Cover
2	1	Lower Cover
3	4	M2.5x6 Screw
4	1	Cable Clamp
5	1	Plastic Insert
6	2	Jackscrew UNC4-40x18
7	1	Rubber Grommet

RoHS compliant
 Unit: mm

Scale	Free					Date	Name	Customer-No.
TOLERANCE						Drawn	17.08.2017	S.Bölling
0~6	±0.10					Approved	17.08.2017	S.Bölling
6~30	±0.20							
30~120	±0.30							
120~400	±0.50							
DIM	Tol							
Angle	±1°	©	Drawn	17.08.2017	S.Bölling			
Angle	Tol	Id.	Modification	Date	Name			

ASSMANN WSW-No.
ACOV-SUB-37MB30

Drawing-No.
ASS_5271_CO rev00
 Sheet 4/4

1 2 3 4 5 6 7