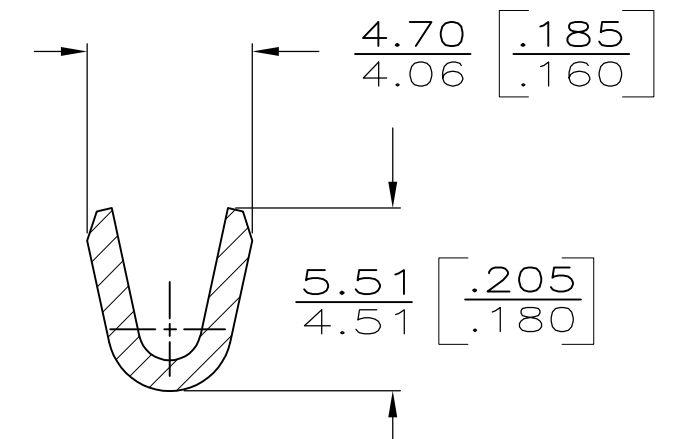
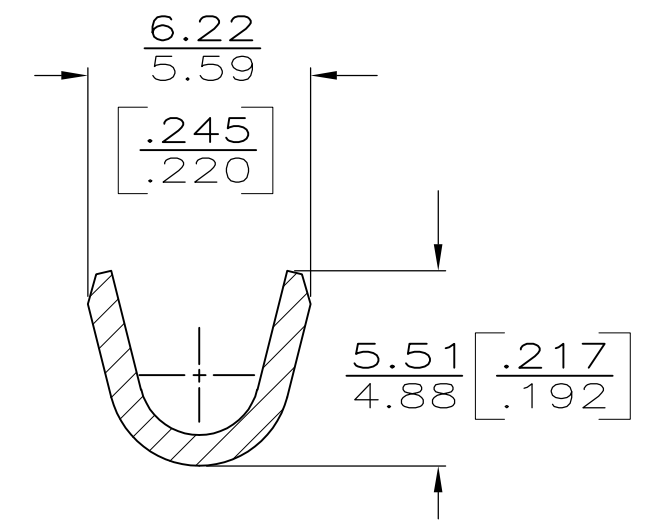
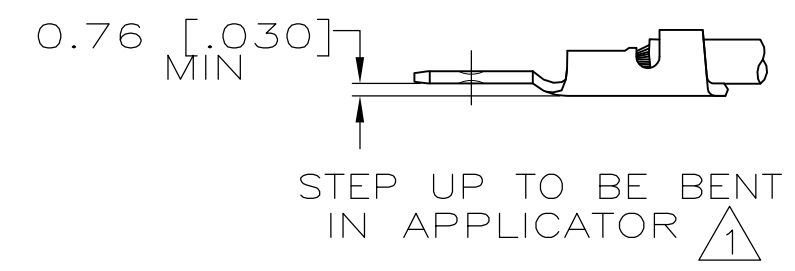
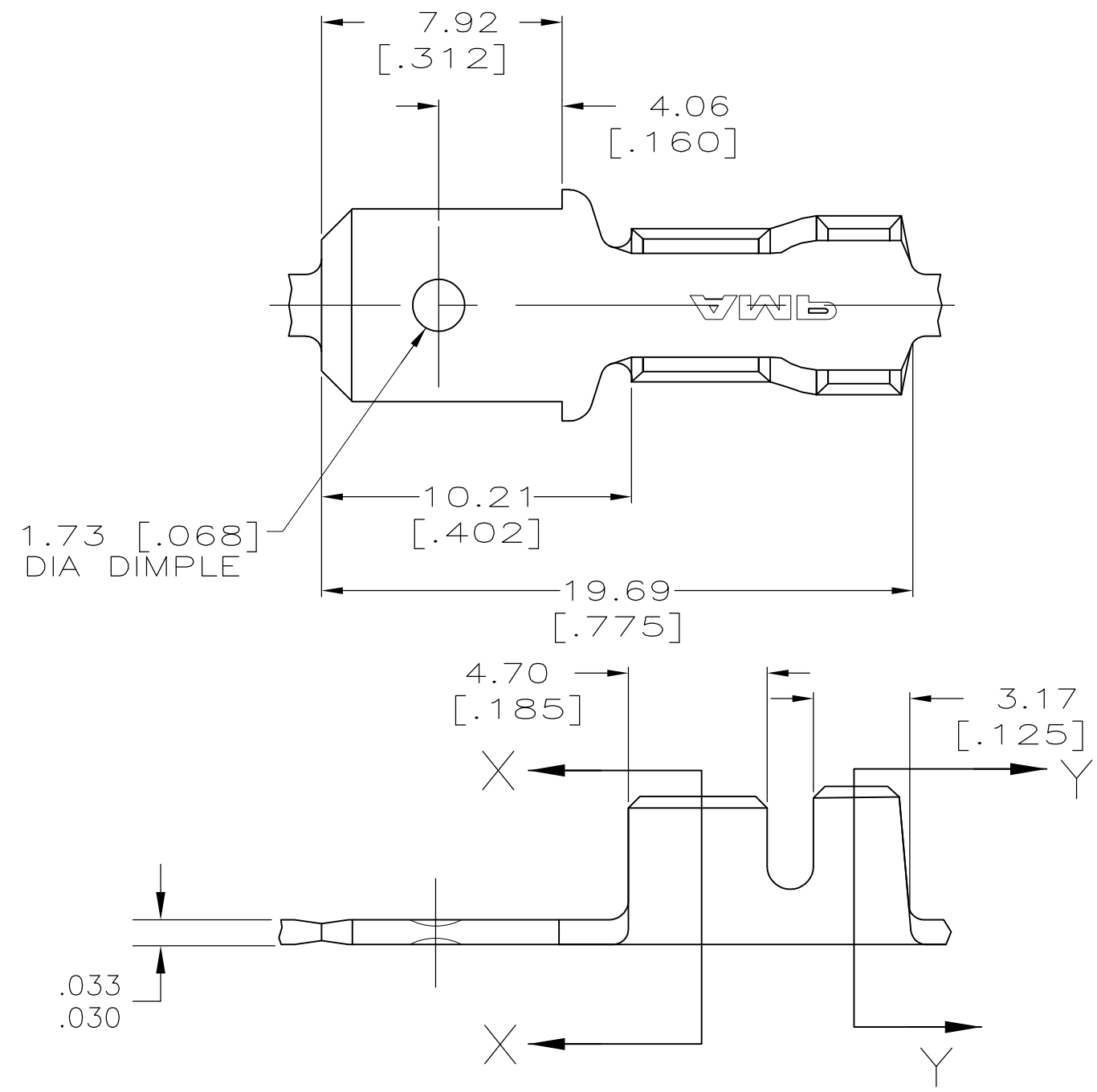


THIS DRAWING IS UNPUBLISHED. RELEASED FOR PUBLICATION  
 © COPYRIGHT - By - ALL RIGHTS RESERVED.

LOC	DIST	REVISIONS			
P	LTR	DESCRIPTION	DATE	DWN	APVD
AF	50	N2	REVISED PER ECO-11-004820	11MAR11	RK HMR

- 1 SUFFIX LETTER MUST BE USED ONLY WHEN ORDERING APPLICATOR TOOLING FOR STEPPED UP VERSION.
- 2 CONTINUOUS STRIP ON REELS.
- 3 FOREIGN PRODUCTION ONLY.
- 4 WIRE SIZE IS 0.8-2.0mm<sup>2</sup>, [18-14] AWG
- 5 INSULATION RANGE IS 3.05-4.32 [.120-.170] DIA



OBSOLETE

41411 B	SILVER	41411-1-3
TERMINAL NUMBER STEPPED UP	FINISH	PART NO.

THIS DRAWING IS A CONTROLLED DOCUMENT.		DWN	JR RUTH	2/5/92	TE Connectivity TAB, FASTON, 6.35 [.250] SERIES
DIMENSIONS: INCHES		CHK	MS FEHER	2/5/92	
TOLERANCES UNLESS OTHERWISE SPECIFIED:		APVD	D REINER	1/5/92	
0 PLC ± - 1 PLC ± - 2 PLC ± - 3 PLC ± 0.38 [.015] 4 PLC ± - ANGLES ± -		PRODUCT SPEC	-	-	
MATERIAL	082 BRASS	FINISH	SEE TABLE	WEIGHT	-
CUSTOMER DRAWING		SIZE	A3	CAGE CODE	00779
SCALE		DRAWING NO	G=41411		RESTRICTED TO
5:1		SHEET		1 OF 1	REV N2