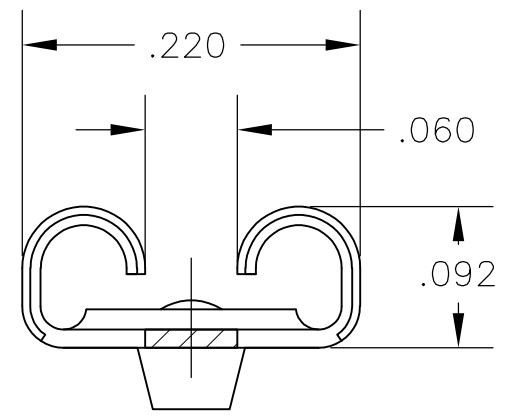
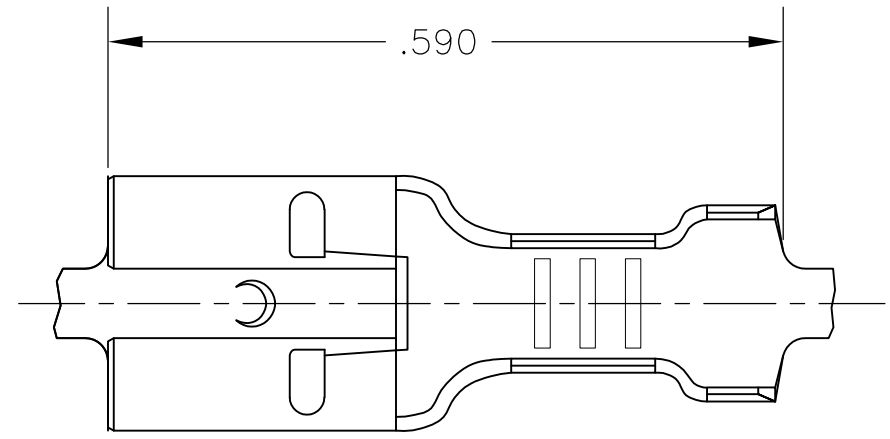


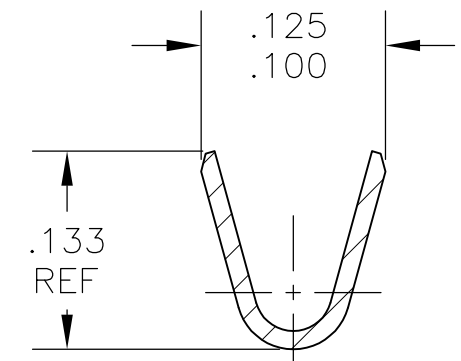
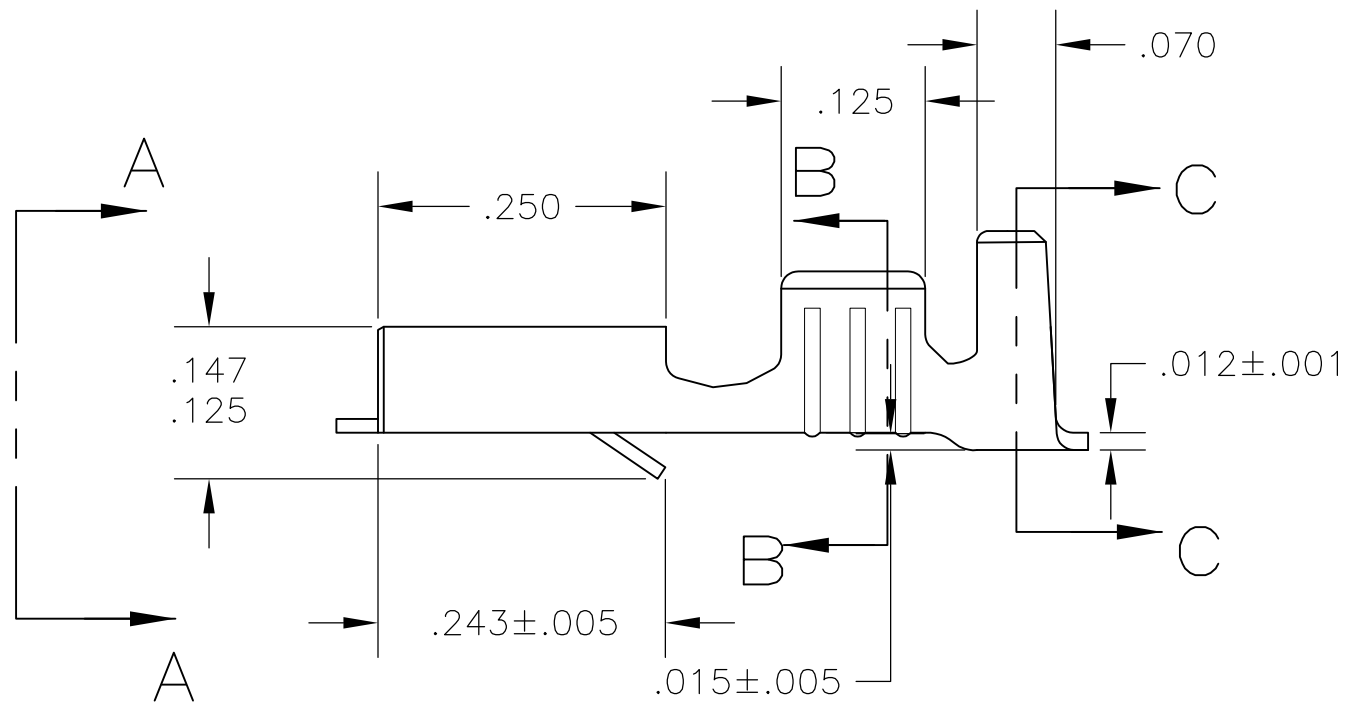
THIS DRAWING IS UNPUBLISHED. RELEASED FOR PUBLICATION  
 © COPYRIGHT - By - ALL RIGHTS RESERVED.

LOC	DIST	REVISIONS			
P	LTR	DESCRIPTION	DATE	DWN	APVD
AF	50	J	REVISED PER ECR-12-002864	24MAY12	KH PD

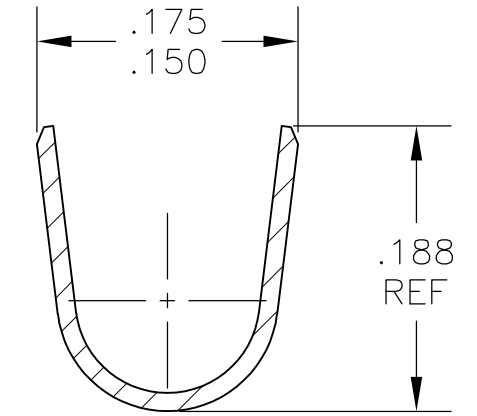


VIEW A-A  
SCALE 8:1

- 1 CONTINUOUS STRIP ON REELS.
- 2 WIRE SIZE IS #22-#16 AWG
- 3 INSULATION RANGE IS .090-.130 DIA.
- 4 MATING TAB THK IS .032±.001



SECTION B-B  
SCALE 8:1



SECTION C-C  
SCALE 8:1

TIN	62802-2
-	62802-1
FINISH	PART NO.

THIS DRAWING IS A CONTROLLED DOCUMENT.		DWN	JR RUTH	10/31/89	<b>TE Connectivity</b>												
DIMENSIONS: INCHES		CHK	MS FEHER	10/31/89				NAME RECEPTACLE, FASTIN-FASTON, .187 SERIES									
		APVD	J GILLESPIE	2/20/90													
TOLERANCES UNLESS OTHERWISE SPECIFIED: 0 PLC ± - 1 PLC ± - 2 PLC ± - 3 PLC ± .010 4 PLC ± - ANGLES ± -		PRODUCT SPEC		RESTRICTED TO													
MATERIAL #4H BRASS		FINISH SEE TABLE		WEIGHT	-	SIZE	A3	CAGE CODE	00779	DRAWING NO	C-62802	SCALE	6:1	SHEET	1 OF 1	REV	J
CUSTOMER DRAWING												SCALE 6:1		SHEET 1 OF 1		REV J	