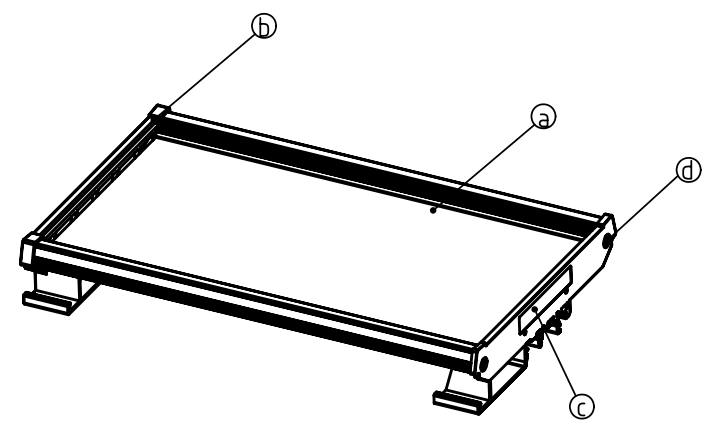
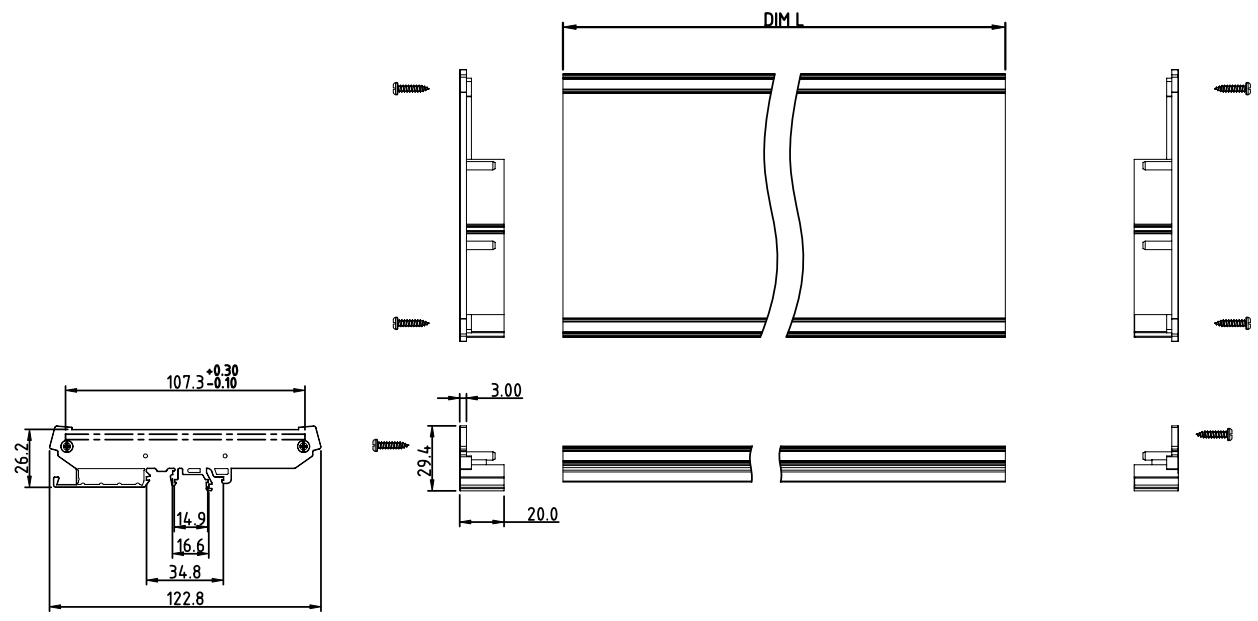


PRODUCT NUMBER	PITCH
ALxxxx300J0G	N/A



Materials

- Item a insulating body PVC (UL94V-0)
- Item b insulating side Cover (left) Thermoplastic (UL94V-0)
- Item c insulating side Cover (right) Thermoplastic (UL94V-0)
- Item d Screw(Pa2.8x8) Steel, Zinc plated

Remark

DIM L( Length of insulating body )=PCB Length-3.8mm  
 PCB Width:107.05±0.05mm  
 PCB thickness :1.6±0.10mm

PART NO.: AL xxxx x 3 00J0 G

↓ Body Color  
 PCB length 5 Green(RAL6018/T)  
 0450 45.0mm  
 0505 50.5mm  
 .....  
 4000 400.0mm  
 0450 to 4000  
 From 45.0mm to 400mm

↓ RoHS compliant

mat'l. code		surface ASME Y14.5 ✓	tolerance ASME Y14.5	projection ⊕	product family TERMINAL BLOCK
ltr	ecn no	dr	date	tolerances unless otherwise specified	title TERMINAL BLOCK ACCESSORIES, NON-INSTALLED SIDE COVER THE WIDTH OF PCB IS 107 MM
				angles ⊕ ⊖ X°±1°	
				X.±0.5 X.X±0.3 X.XX±0.1	scale MM
		dr	HANKE FENG	072314	FCI dwg no ALxxxx300J0G sheet 1 of 1 size A4 type CUSTOMER Drawing
		enr	HANKE FENG	072314	
		chr	HANKE FENG	072314	
		appd	SHI JUN	072314	
sheet index	revision sheet	A	1		