

Power Supply Cord with NEMA 5-15 Power (Mains) Plug 3-pole, Straight



North America



NEMA 5-15

**Description**

Power Supply Cord, Protection class I, Pin temperature 70 °C, Cable

**Approvals**

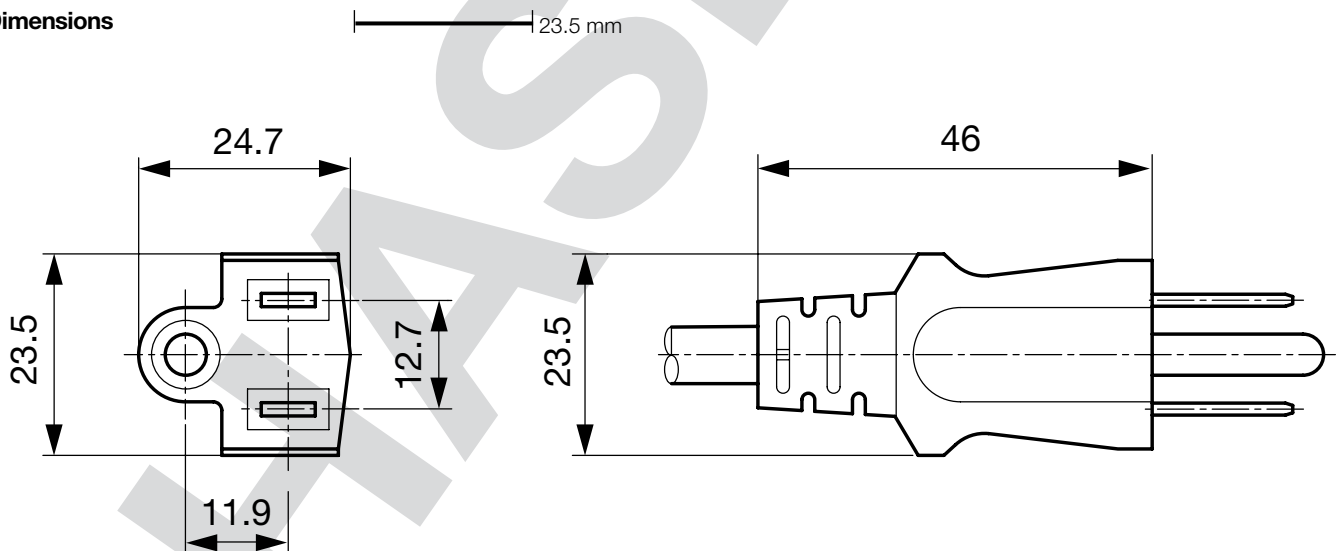
- UL File Number: E45116
- CSA File Number: 32338

**Weblinks**

[pdf](#), [html](#), [General Product Information](#), [Approvals](#), [RoHS](#), [CHINA-RoHS](#), [Mating Connectors](#), [e-Shop](#), [SCHURTER-Stock-Check](#), [Distributor-Stock-Check](#), [Accessories](#), [Detailed request for product](#)

**Technical Data**

Ratings IEC	10A / 250VAC; 50Hz
Ratings UL/CSA	10A / 250VAC; 60Hz
Dielectric Strength	> 2kVDC between L-N > 2kVAC between L/N-PE (1 min/50Hz)
Allowable Operation Temp.	-25 °C to 70 °C
Degree of Protection	from front side IP 20 acc. to IEC 60529
Protection Class	Suitable for appliances with protection class 1 acc. to IEC 61140
Terminal	moulded
Material: Housing	PVC, black or grey

**Dimensions**

## Config. Code

4390 - R - Type - D - Length

The characters are placeholders for the correspondingly keys of selections from the key tables.  
Typ steht für die Dose bzw. 2. Seite, Länge ist die Leitungslänge in mm.

4390 - **R** - Type - D - Length = cord type

cord type	Configuration key
SVT 3x18AWG	N
SJT 3x18AWG	P

Cord definition is detailed in general product information XXX

4390 - R - **Type** - D - Length = Cord end 2

Cord end 2
zzzz, 2512, 2530, 3011, 3012, 3013, 302U, 3020, 3027, 3030, 311L, 312L

4390 - R - Type - **D** - Length = Color

Color	Configuration key
Black	A
Grey	B

**Packaging unit** 100 Pcs

## Mating Outlets/Connectors

Category / Description



[Power Outlet \(Mains Socket\) Overview complete](#)

NEMA line Outlet 5-15R, Snap-in Mounting, Front Side, Solder Terminal	0709
NEMA line Outlet 5-15R, Snap-in Mounting, Front Side, V-Slot Terminal	0709-1
NEMA line Outlet 5-15R, Snap-in Mounting, Front Side, IDC- or Quick-connect Terminal	0710

[Power Outlet \(Mains Socket\) further types to4390](#)

4390 - R - Type - D - **Length** = Cord length

Cord length
zzzz, 000500, 001000, 001500, 002000, 002500, 003000, 005000

Cord length in mm