

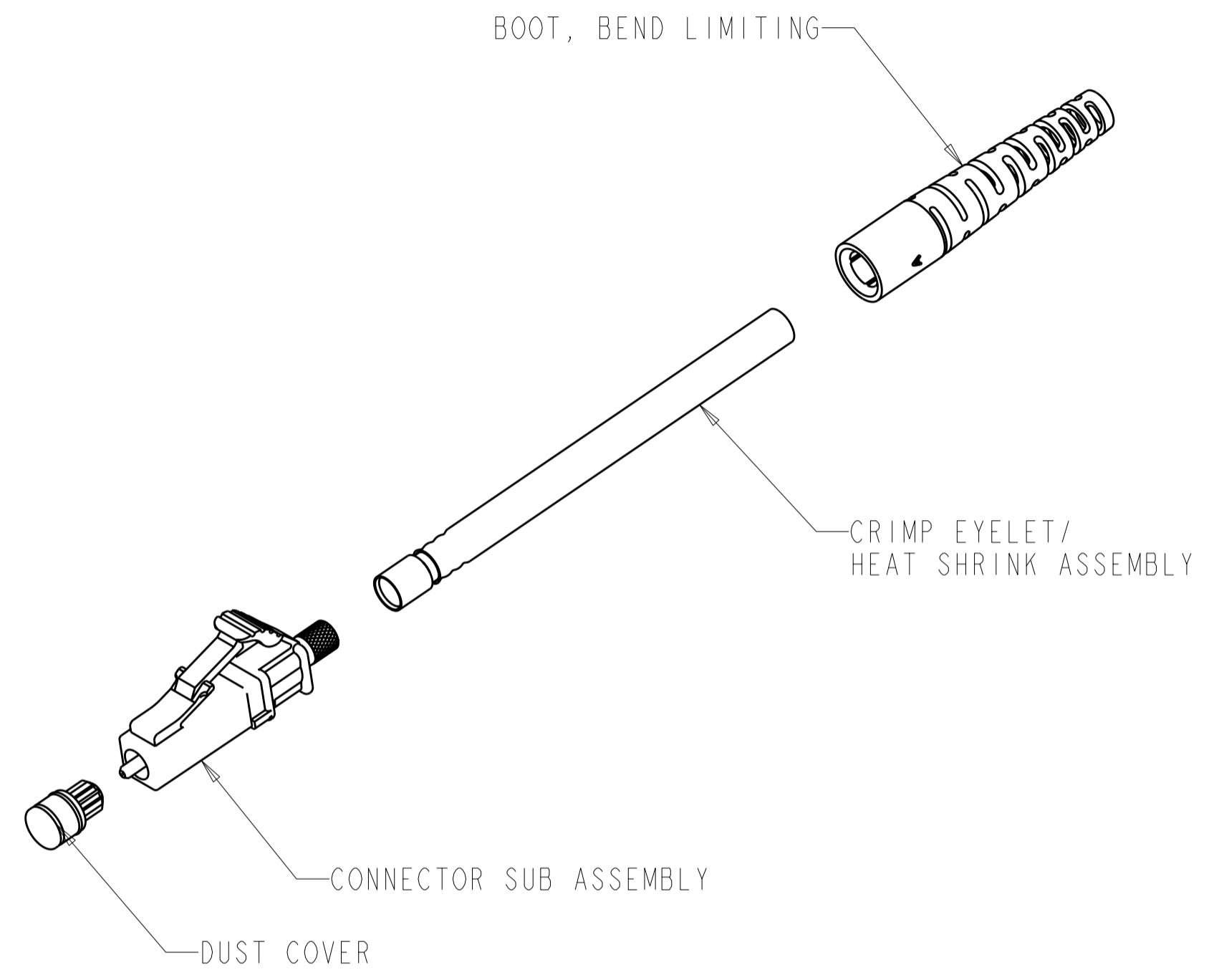
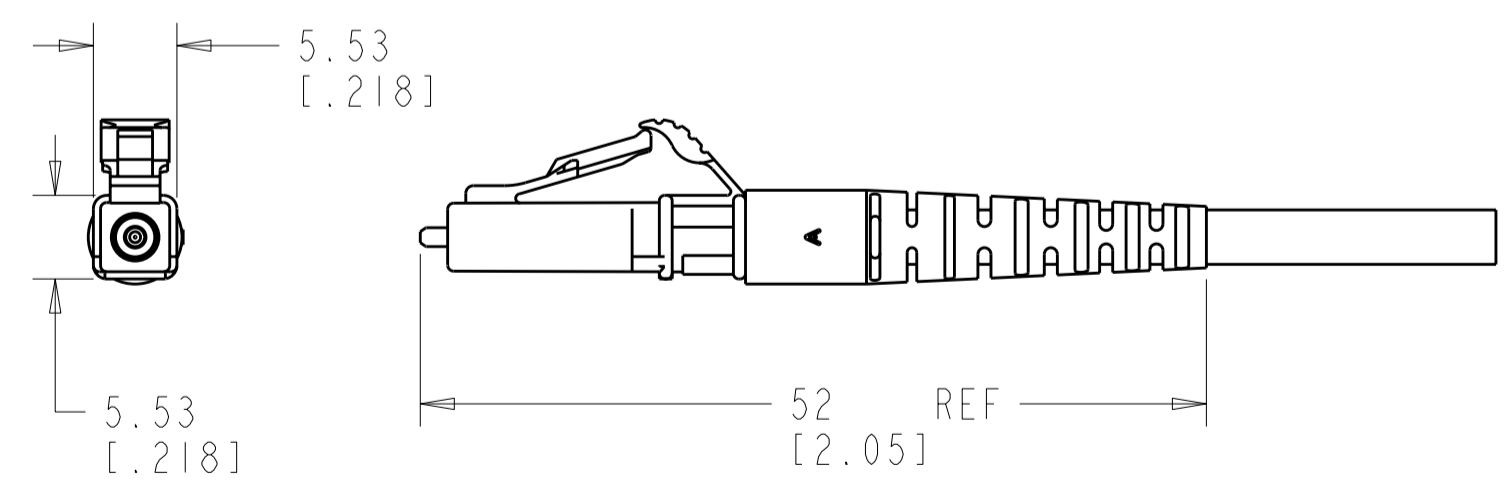
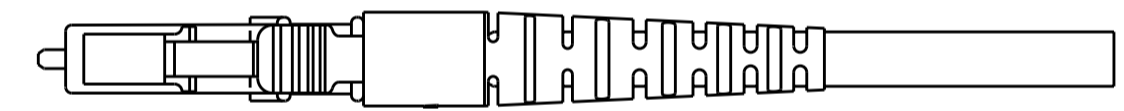
THIS DRAWING IS UNPUBLISHED. RELEASED FOR PUBLICATION
 © COPYRIGHT BY TYCO ELECTRONICS CORPORATION. ALL INTERNATIONAL RIGHTS RESERVED.

LOC	DIST	REVISIONS				
P	LTR	DESCRIPTION	DATE	DWN	APVD	
	A	ECO-07-017712	07JUL31	DHR	DHR	
	B	REV PER ECR-10-010066	19MAY2010	IL	CT	

1 MATERIAL: PROTECTIVE COVER: TPE, COLOR:BLACK, UL 94 HB. *
 FERRULE SUB ASSEMBLY: ZIRCONIA/ALUM ALLOY.
 COMPRESSION SPRING: STAINLESS STEEL.
 FRONT HOUSING: PPSU, COLOR:BEIGE, UL 94 V-0. *
 REAR BODY: ALUM ALLOY.
 BOOT: PP, COLOR:BEIGE, UL 94 V-0. *
 CRIMP EYELET/HEAT SHRINK ASSY: ALUM. ALLOY, HEAT SHRINK: POLYOLEFIN, UL VW-1.
 *RATED AT QUALIFYING THICKNESS.

2 BULK PACKAGED

3. THIS IS A NON-PULL PROOF LC CONNECTOR.
 IT IS DESIGNED FOR USE WITH TIGHT CONSTRUCTION OPTICAL CABLE.
 UNDER LOADS YOU MAY SEE ENDFACE ABRASIONS.



2	1918153-2
	1918153-1
PART NUMBER	

THIS DRAWING IS A CONTROLLED DOCUMENT FOR TYCO ELECTRONICS CORPORATION. IT IS SUBJECT TO CHANGE AND THE CONTROLLING ENGINEERING ORGANIZATION SHOULD BE CONTACTED FOR THE LATEST REVISION.		DWN E. HOPKINS 06 JAN 2005	Tyco Electronics Corporation Shanghai, China	
DIMENSIONS: mm [INCHES]		CHK D. ROHDE 06 JAN 2005	NAME CONNECTOR KIT, LC, SIMPLEX MM, JUMPER, TIGHT JACKET STYLE, 2.4mm	
TOLERANCES UNLESS OTHERWISE SPECIFIED: 0 PLC ± 1 PLC ±0.1/[.004] 2 PLC ±0.01/[.0004] 3 PLC ± 4 PLC ± ANGLES ± FINISH ±		APVD D. BAECHELLE 06 JAN 2005	PRODUCT SPEC -	RESTRICTED TO -
MATERIAL 1		APPLICATION SPEC -	WEIGHT -	SIZE A2
CUSTOMER DRAWING		SCALE 3:1	DRAWING NO. G-1918153	SHEET 1 OF 1 REV B