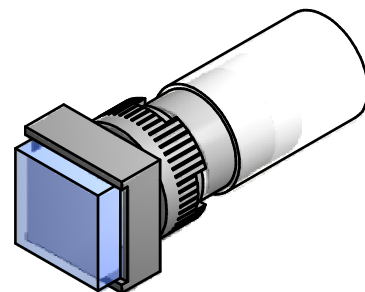
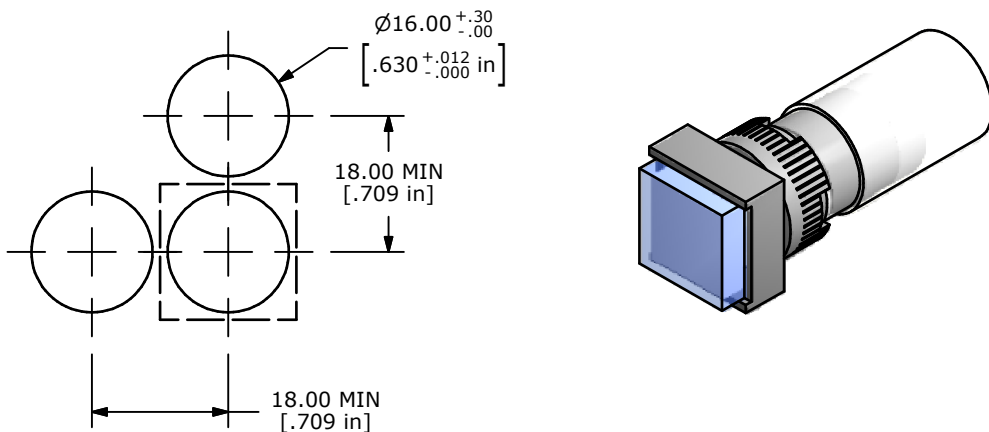
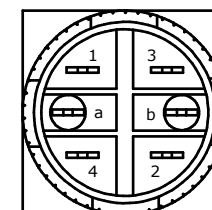
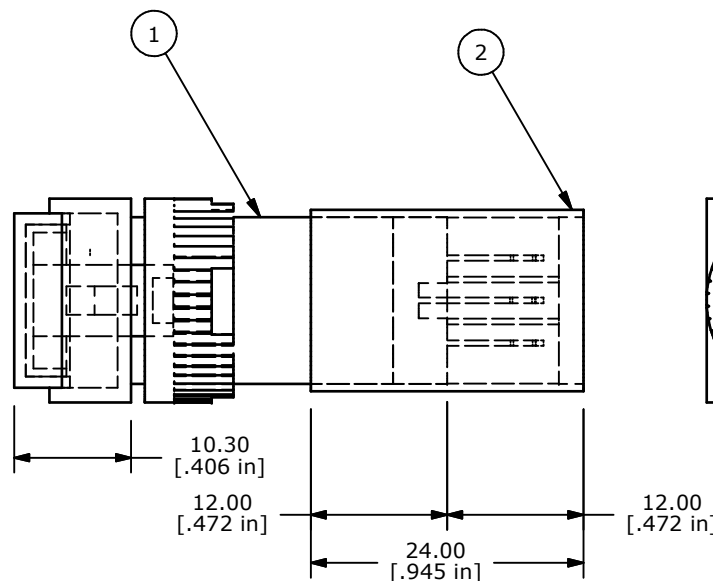
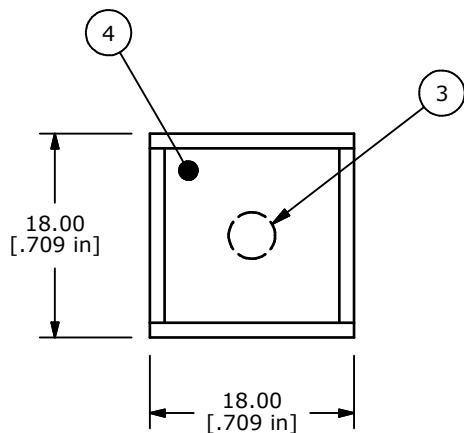
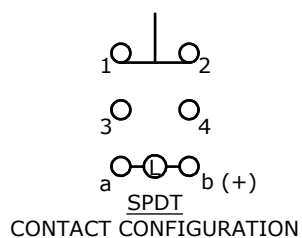


PARTS LIST				
ITEM	QTY	PART NUMBER	DESCRIPTION	
1	1	F040010	P16OAS11	
2	1	F051601	P16 PLASTIC TERMINAL PROTECTOR	
3	1	F050417	50-004-17 6 VDC LED (RED)	
4	1	F050311	50-003-11 TRANSPARENT LENS (BLUE) FLAT TOP	



PANEL MOUNTING



- NOTE:
1. ALL DIMENSIONS IN MM [INCH]
 2. GENERAL TOLERANCE: X.X=±0.4
X.XX=±0.25
 3. TERMINAL NUMBERS FOR REF ONLY
 4. MECHANICAL LIFE: 2,000,000 OPERATIONS
 5. INSULATION RESISTANCE: 1,000 MILLI-OHM MIN.
 6. OPERATING TEMP.: -25°C to 55°C
 - ▲ 7. LAMP VOLTAGE: 6 VDC LED (RED)
 8. ▲ DENOTES CRITICAL PARAMETER.



A	18164	RELEASED FOR PRODUCTION	7/11/08	BLR
REV	PCR NO	DESCRIPTION	DATE	BY

TITLE P16OAS11HREDBLU				
SCALE	DATE	DR	DWG	REV
1.5:1	7/11/2008	BLR	XF0082P	A

THE INFORMATION CONTAINED IN THIS DOCUMENT IS PROPRIETARY TO E-SWITCH AND IS NOT TO BE COPIED OR TRANSFERRED