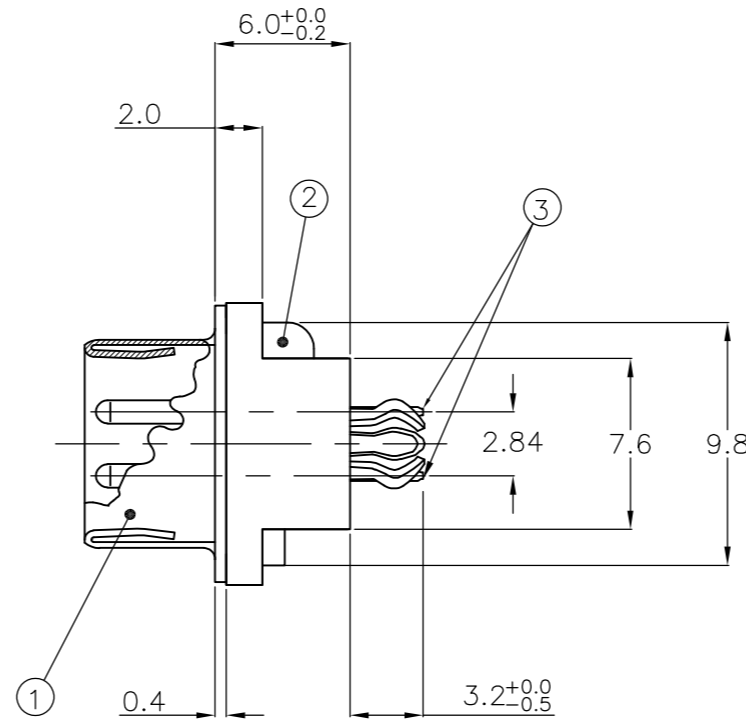
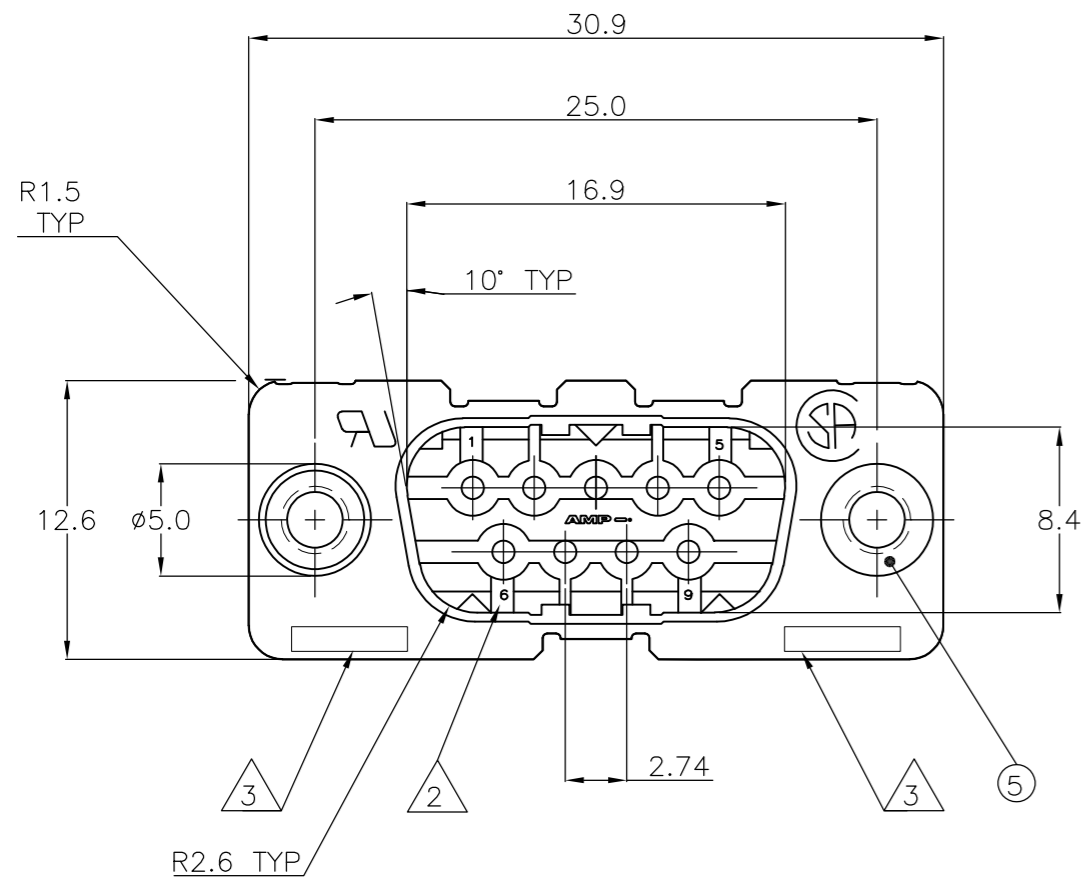


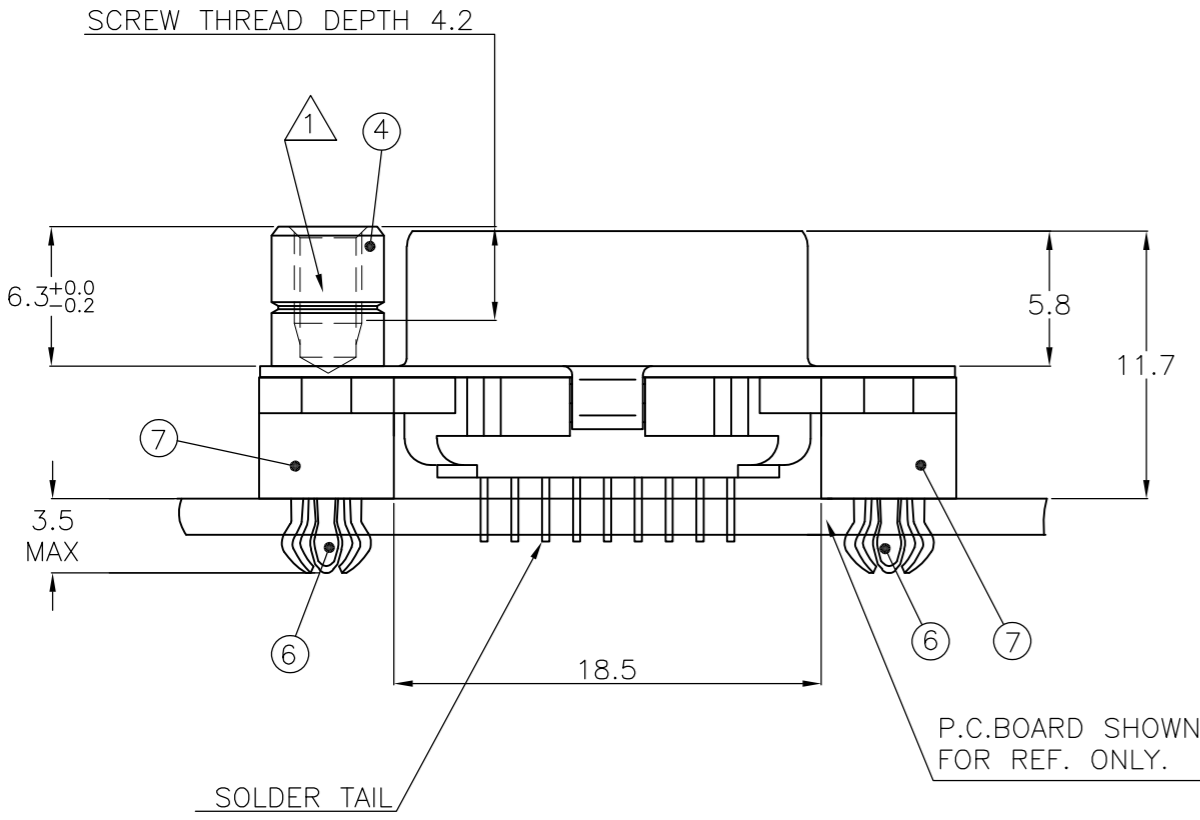
THIS DRAWING IS UNPUBLISHED. RELEASED FOR PUBLICATION
 © COPYRIGHT - By - ALL RIGHTS RESERVED.

| LOC | DIST | REVISIONS | | | |
|-----|------|-------------|---------------------------|-----------|---------|
| P | LTR | DESCRIPTION | DATE | DWN | APVD |
| GP | 00 | G | REVISED PER ECO-12-009966 | 30MAY2012 | CJV SLB |



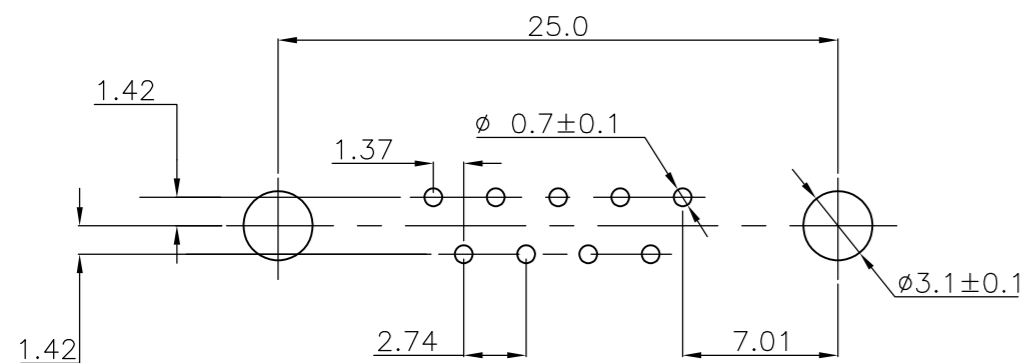
| ITEM NO. | DESCRIPTION OF ACCESSORY | QUANTITIES | | | | | | | | |
|----------|---------------------------------------|------------|---|---|---|---|---|---|---|---|
| | | 1 | 2 | 3 | 4 | 5 | 6 | 7 | 8 | 9 |
| 5 | BUSHING WITH THROUGH HOLE Ø3.1 | | | | | | | | 2 | |
| 5 | BUSHING WITH THREAD 4-40 UNC | | 2 | | | | | | 2 | |
| 5 | BUSHING WITH THREAD M3 | | | 2 | | | | | 2 | |
| 4 | FEMALE SCREWLOCK WITH THREAD 4-40 UNC | | | | 2 | | | | | 2 |
| 4 | FEMALE SCREWLOCK WITH THREAD M3 | | | | | 2 | | | | 2 |
| 6 | BOARDLOCK | | 2 | 2 | 2 | | | | | |

| | | | | | | | | | | |
|------------|--|--|--|--|--|--|--|--|--|----------|
| 1-338309-2 | | | | | | | | | | |
| 2-338309-2 | | | | | | | | | | |
| 3-338309-2 | | | | | | | | | | |
| 4-338309-2 | | | | | | | | | | |
| 5-338309-2 | | | | | | | | | | |
| 6-338309-2 | | | | | | | | | | |
| 7-338309-2 | | | | | | | | | | |
| 8-338309-2 | | | | | | | | | | OBSOLETE |
| 9-338309-2 | | | | | | | | | | OBSOLETE |



- 1 GROOVE INDICATES VERSION WITH 4-40 UNC INNER THREAD; WITHOUT GROOVE INDICATES VERSION WITH M3 INNER THREAD.
- 2 CAVITY IDENTIFICATION AT FRONT SIDE ONLY.
- 3 PART NUMBER AND DATE CODE.
- 4. WHEN BOARDLOCKS ARE USED, CONNECTOR CAN BE USED FOR PCB THICKNESS OF 1.6 mm ONLY.
- 5. SHELL HAS 2x2 GROUNDING SPRINGS; PITCH IS 3.6 mm.
- 6. AIR AND CREEPAGE DISTANCES ACCORDING TO DIN 41652.
- 7. CONTACT FINISH: GOLD FLASH OVER PALLADIUM-NICKEL PLATE OR GOLD PLATE ON THE MATING SURFACES, TIN PLATE ON THE SOLDER TAILS, NICKEL UNDERPLATE ON THE ENTIRE CONTACT. MATING SURFACE FINISH MEETS LEVEL 2 PER DIN 41652.

RECOMMENDED P.C. BOARD HOLE-LAYOUT



ITEM NO./MATERIAL :

- 1 SHELL : BRIGHT TIN PLATED STEEL
- 2 HOUSING : GLASS FILLED POLYESTER, COLOR : BLACK
- 3 CONTACTS : PHOSPHOR BRONZE (PLATING : SEE NOTES)
- 4 FEMALE SCREWLOCK : TIN PLATED STEEL (INNER THREAD 4-40 UNC OR M3)
- 5 BUSHING : TIN PLATED STEEL (INNER THREAD 4-40 UNC OR M3 OR Ø3.1 THROUGH HOLE)
- 6 BOARDLOCK : TIN PLATED PHOSPHOR BRONZE
- 7 STAND-OFF : GLASS FILLED NYLON COLOR : BLACK

| | | | | | |
|--|--|--------------------------|---|--|--|
| THIS DRAWING IS A CONTROLLED DOCUMENT. DIMENSIONING AND TOLERANCING PER ASME Y14.5M-2009 | | DWN J.V. LIEMPT 03JUL97 | | | |
| DIMENSIONS: mm | | CHK C. SOUISA 09SEP97 | | | |
| TOLERANCES UNLESS OTHERWISE SPECIFIED: | | APVD E. LEIJTENS 09SEP97 | NAME | | |
| 0 PLC ± - | | PRODUCT SPEC | HDP-20 SIZE 1 VERTICAL+ PLUG HEADER; WITH SOLDER CONTACTS | | |
| 1 PLC ± 0.3 | | APPLICATION SPEC | SIZE CAGE CODE DRAWING NO RESTRICTED TO | | |
| 2 PLC ± 0.15 | | WEIGHT | A2 00779 C=338309 | | |
| 3 PLC ± - | | CUSTOMER DRAWING | SCALE NTS SHEET 1 OF 1 REV G | | |
| 4 PLC ± - | | | | | |
| ANGLES ± - | | | | | |
| FINISH | | | | | |