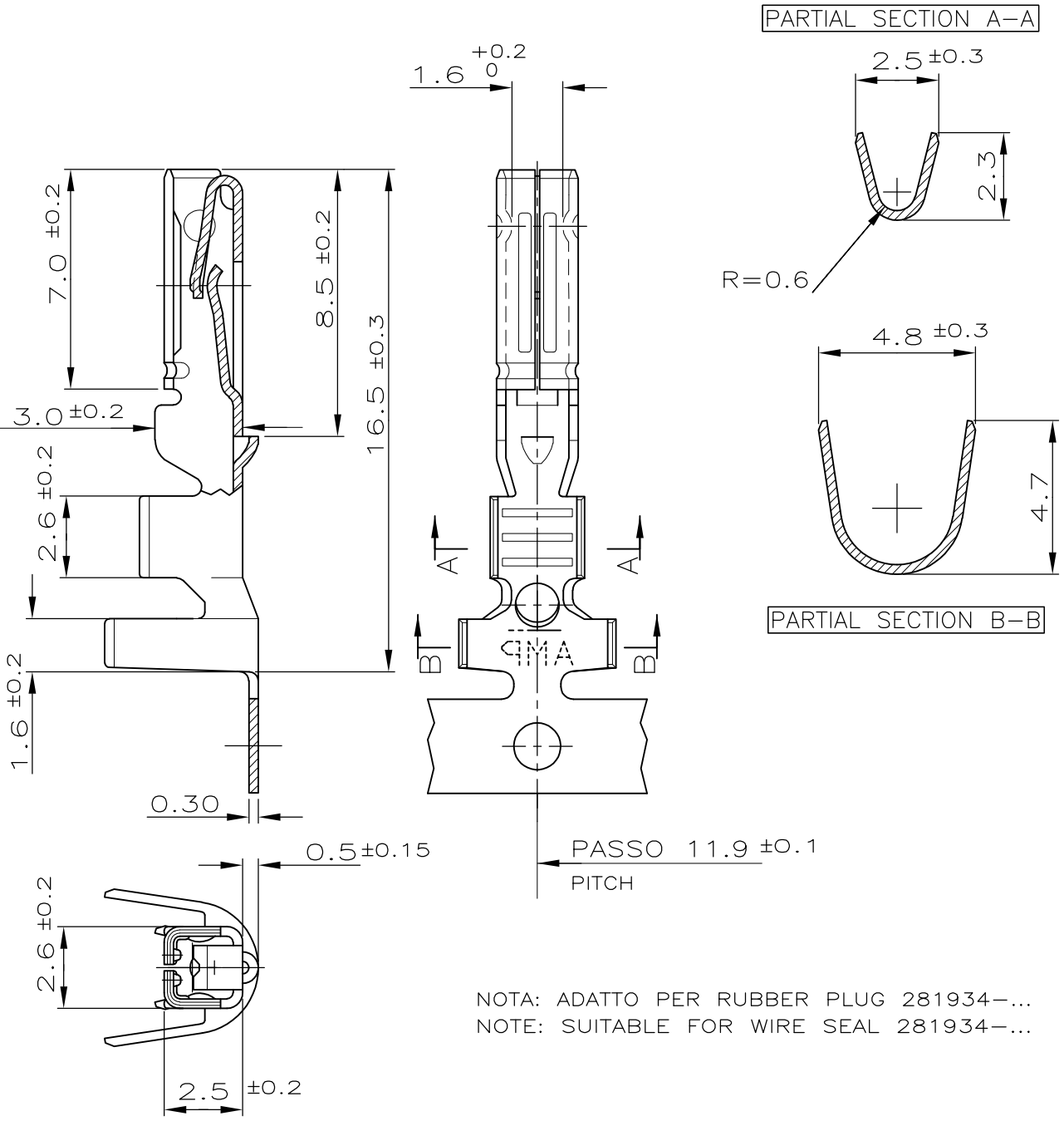



LOC	DIST	REVISIONS					
I	—	P	LTR	DESCRIPTION	DATE	DWN	APVD
			B1	REVISED PER ECO-11-005033	2APR11	RK	HMR



NOTA: ADATTO PER RUBBER PLUG 281934-...  
 NOTE: SUITABLE FOR WIRE SEAL 281934-...

CUSTOMER DWG. FOR REFERENCE ONLY	DISEGNO PER CLIENTE SOLO PER RIFERIMENTO			
-------------------------------------	---	--	--	--

DIAM. ISOLANTE (INS. DIA. RANGE) SEE NOTE	RANGO FILO (WIRE RANGE) 0.35-0.5mm <sup>2</sup>	PRE-STAGNATO / PRE-TIN (FINITURA / COLORE FINISH / COLOUR)	BRONZO FOSF./PH.BRONZE (MATERIALE) (MATERIAL)	282403-1 NUMERO (PART NUMBER)
---	---	--	---	-------------------------------------

DIMENSIONS: mm	DWN C.BERTINI	6-92	MATERIAL	FINISH
	CHK A.BRUNI	6-92	 TE Connectivity	
TOLERANCES UNLESS OTHERWISE SPECIFIED:	APVD —	—		
	0 PLC ± — 1 PLC ± 0.3 2 PLC ± — 3 PLC ± — 4 PLC ± — ANGLES ± 2°	PRODUCT SPEC —	—	RESTRICTED TO —
	APPLICATION SPEC —	—	SIZE A4	CAGE CODE 00779
	WEIGHT —	—	DRAWING NO C-282403	
CUSTOMER DRAWING		SCALE 5:1	SHEET 1 OF 1	REV B1

THIS DRAWING IS UNPUBLISHED. ALL RIGHTS RESERVED.