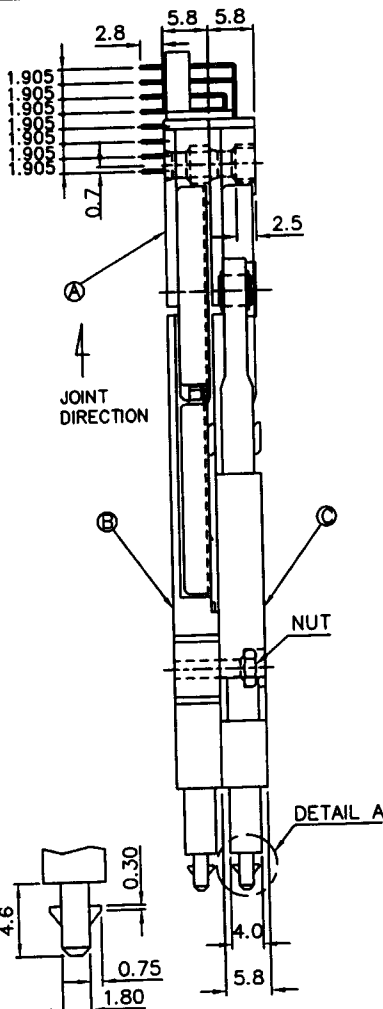


Tous droits strictement réservés. Reproduction ou communication, o des tiers int sans autorisation écrite du propriétaire.

All rights strictly reserved. Reproduction or issue to third parties in any form without written authority from the proprietor.

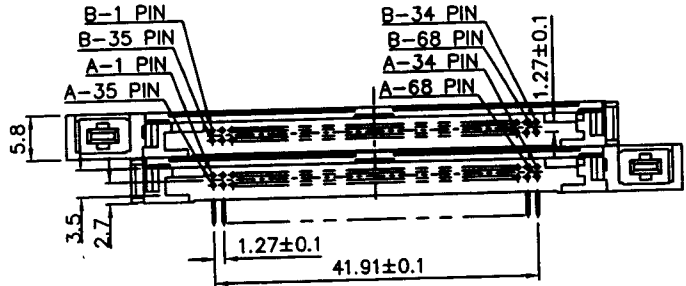
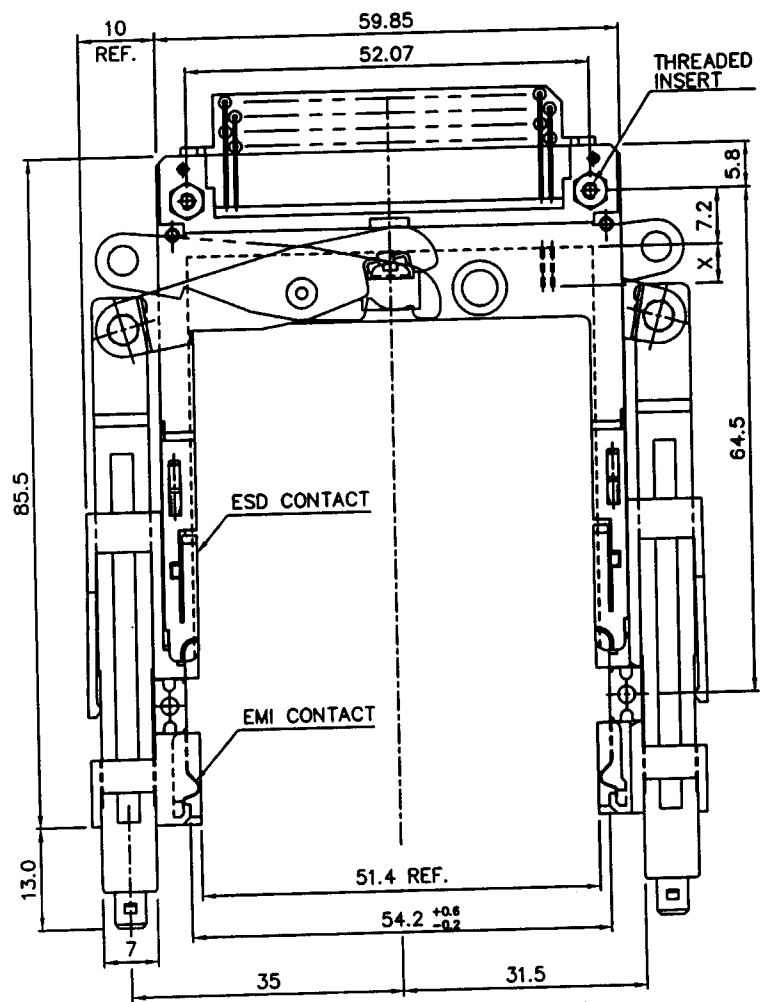
PRODUCT NO.
61716-100G*
SEE TABLE I



DETAIL A

USE THE FOLLOWING P/N FOR OFFICIAL ORDERING

| | |
|--------------------|---------------------------|
| DESCRIPTION | P/N |
| ⊙ EJECT MECH ASS'Y | 94307-10G* SEE TABLE I |
| ⊕ EJECT MECH ASS'Y | 88644-00G* SEE TABLE I |
| ⊖ HDR ASS'Y | 95705-000 |

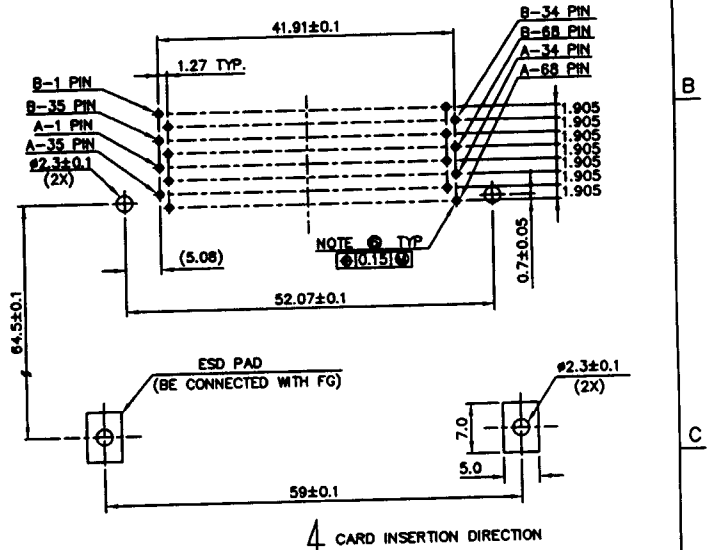


- NOTES:
 1. EJECT FORCE : 3.5 Kg MAX.
 2. EJECT TRAVEL: 8.0mm
 ③ MATERIAL
 3.1 PART ② (HEADER ASS'Y)
 PLASTIC :HOUSING ...LCP UL94V-0 BLACK
 :LOCATOR ...G.F. 6/8 NYLON UL94-V0 BLACK
 PIN :PHOSPHOR BRONZE
 3.2 PART ③ AND ④ (EJECT MECHANISM ASS'Y)
 PLASTIC :GUIDE:POLYPHTHARAMID UL94V-0 BLACK
 :PUSH ROD:POLYPHTHARAMID UL94V-0 BLACK
 PLATE :STAINLESS
 EMI CONTACT:PHOSPHOR BRONZE
 4. FINISH (PIN)
 UNDER PLATING :0.5 μm MIN. NI
 CONTACT AREA :0.1 μm MIN. GOLD OVER 0.5 μm MIN. Pd-NI
 SOLDER TAIL : 2.5 μm MIN. Sn-Pb
 5. DIM "X"

| | | |
|----------|---------|------------------|
| 4.25±0.1 | 3.5±0.1 | 5.0±0.1 |
| OTHERS | 38,67 | 1,17,34,35,51,68 |

 ⑥ RECOMMENDED DIAMETER IS #1.0, FOR PROCESSES USING PASTE REFLOW, HOLE MAYBE AS SMALL AS #0.79.
 7. TABLE I

| | |
|---|----------------|
| * | PUSH ROD COLOR |
| A | BLACK |
| H | NATURAL |



4 CARD INSERTION DIRECTION

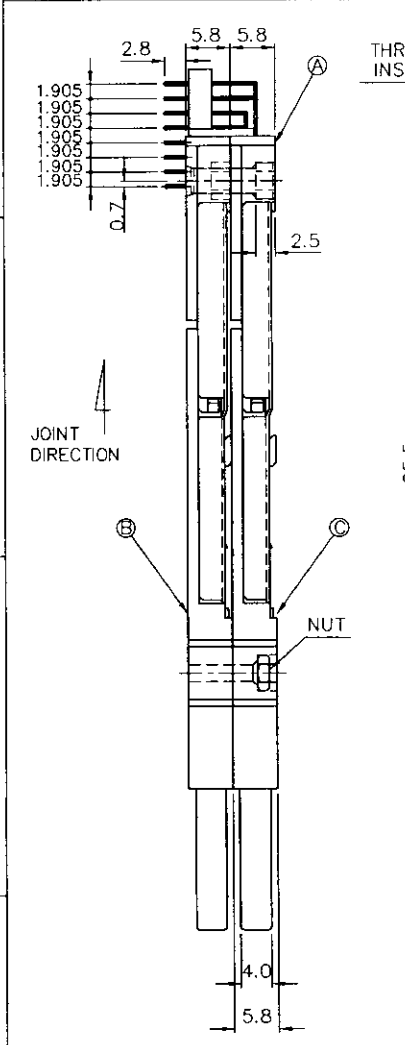
| | | | | | | | | | |
|------------|----------|--------------------------------------|----------|---------------|-------------|-----------------|--|--------|----------|
| mat'l code | | tolerance unless otherwise specified | | CUSTOMER COPY | | ELECTRONICS FCI | | | |
| rev. | ecn no. | dr | date | linear | ±0.30 | projection | title | | |
| A | T60402 | W L | 10/03/96 | angles | ± 2' | ⊙ | 68P DOUBLE EJECTOR HEADER ASS'Y FOR TYPE 1/2/3 | | |
| B | T10068 | W L | 03/06/01 | dr | WENDY CHEN | 10/03/96 | product family : PCMCIA | | |
| | | | | enr | JOSEPH HSIA | 10/03/96 | code TWN | | |
| | | | | chr | JOSEPH HSIA | 10/03/96 | size dwg no. | | |
| | | | | appd | JENN TSAO | 10/03/96 | scale 1.5:1 | | |
| sheet | revision | B | A | B | | | A3 | 61716 | code TWN |
| index | sheet | 1 | 2 | 3 | | | | 1 of 3 | sheet |

Tous droits strictement réservés. Reproduction ou communication à des tiers sans autorisation écrite de BERG ELECTRONICS. Droite de reproduction BERG ELECTRONICS by

BERG ELECTRONICS

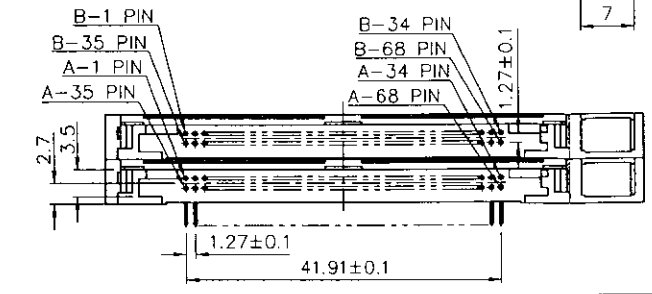
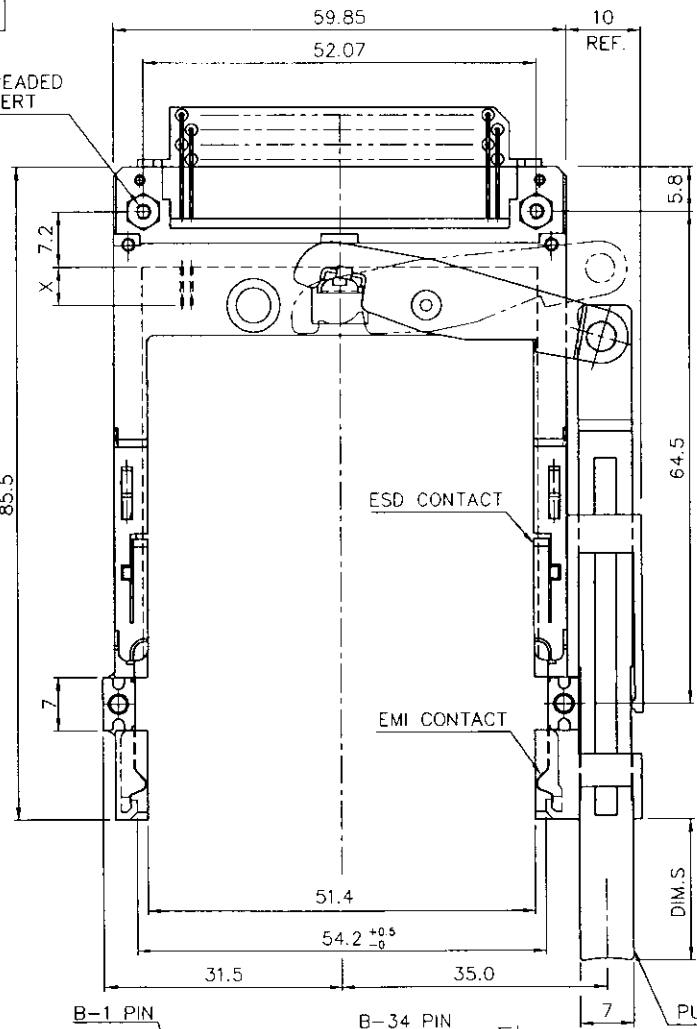
All rights strictly reserved. Reproduction or issue to third parties in any form without written authority from the proprietor. Copyright BERG ELECTRONICS by

PRODUCT NO.
61716-200** SEE TABLE I



USE THE FOLLOWING P/N FOR OFFICIAL ORDERING

| | | |
|---|------------------|---------------------------|
| ③ | EJECT MECH ASS'Y | 94307-00** SEE TABLE I |
| ② | EJECT MECH ASS'Y | 88644-00** SEE TABLE I |
| ① | HDR ASS'Y | 95705-000 |
| D | DESCRIPTION | P/N |

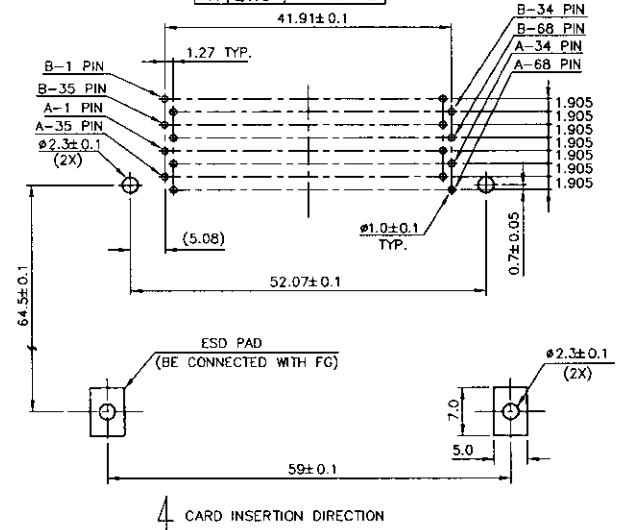


- NOTES:
 1. EJECT FORCE : 3.5 Kg MAX.
 2. EJECT TRAVEL: 8.0mm
 ③ MATERIAL
 3.1 PART ① (HEADER ASS'Y)
 PLASTIC : HOUSING ...LCP UL94V-0 BLACK
 : LOCATOR ...G.F. 6/6 NYLON UL94-V0 BLACK
 PIN : PHOSPHOR BRONZE
 3.2 PART ② AND ③ (EJECT MECHANISM ASS'Y)
 PLASTIC : GUIDE: POLYPHTHARAMID UL94V-0 BLACK
 : PUSH ROD: POLYPHTHARAMID UL94V-0 BLACK
 PLATE : STAINLESS
 EMI CONTACT: PHOSPHOR BRONZE
 4. FINISH (PIN)
 UNDER PLATING : 0.5 μm MIN. Ni
 CONTACT AREA : 0.1 μm MIN. GOLD OVER 0.5 μm MIN. Pd-Ni
 SOLDER TAIL : 2.5 μm MIN. Sn-Pb
 5. DIM "X"

| | | |
|----------|---------|------------------|
| 4.25±0.1 | 3.5±0.1 | 5.0±0.1 |
| OTHERS | 36,67 | 1,17,34,35,51,68 |

6. TABLE I

| ** | DIM.S | PUSH ROD COLOR |
|----|-------|----------------|
| CA | 13.0 | BLACK |
| CH | 13.0 | NATURAL |
| DA | 15.2 | BLACK |
| DH | 15.2 | NATURAL |
| EA | 18.5 | BLACK |
| EH | 18.5 | NATURAL |
| FA | 21.0 | BLACK |
| FH | 21.0 | NATURAL |



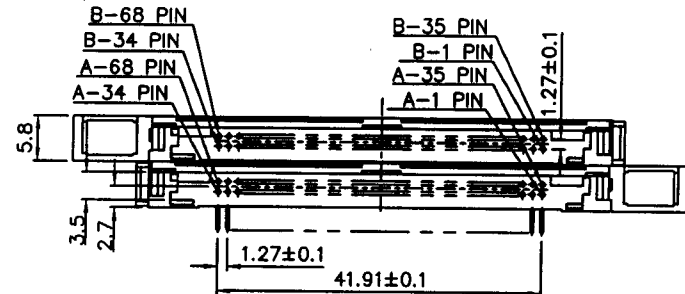
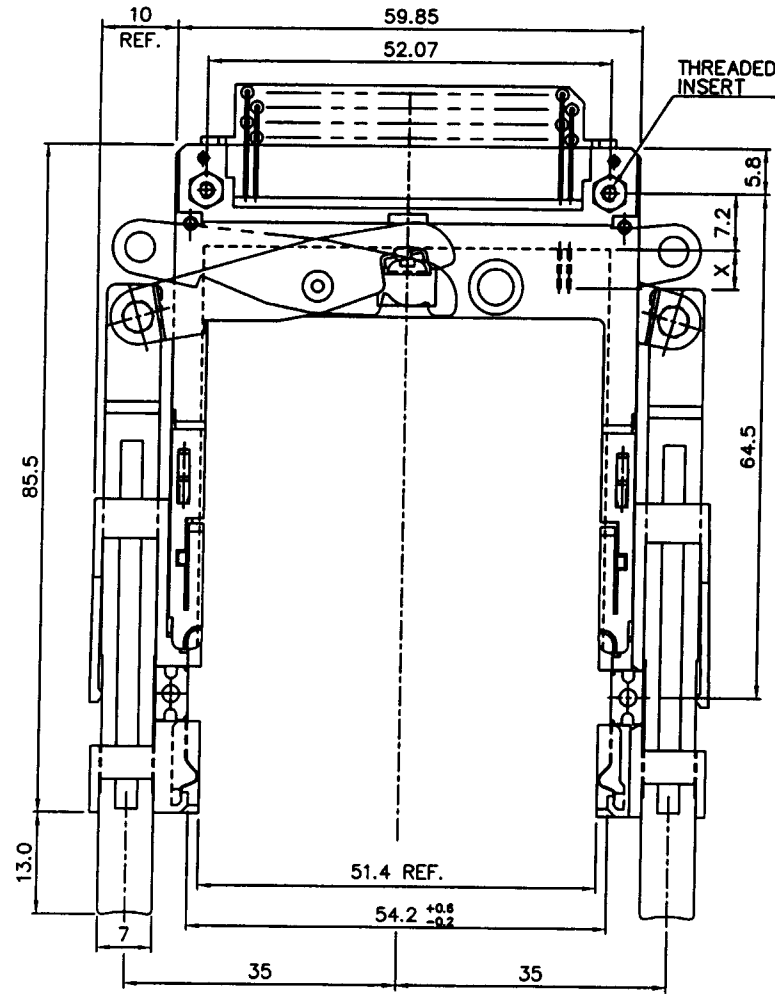
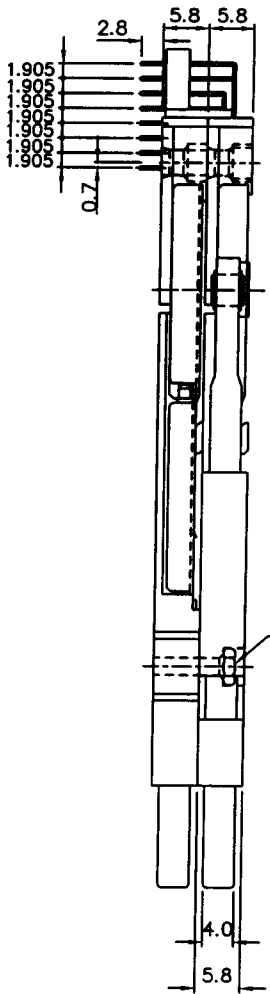
| | | | | | | | |
|------------|---------|--------------------------------------|------|---------------|-------------|------------------|--|
| mat'l code | | tolerance unless otherwise specified | | CUSTOMER COPY | | BERG ELECTRONICS | |
| rev. | ecn no. | dr | date | linear | ±0.30 | projection | title |
| A | | | | angles | ±2° | | 68P DOUBLE EJECTOR HEADER ASS'Y FOR TYPE 1/2/3 |
| | | | | dr | WENDY CHEN | 10/03/96 | unit |
| | | | | enqr | JOSEPH HSIA | 10/03/96 | product family |
| | | | | chr | JOSEPH HSIA | 10/03/96 | size |
| | | | | appd | JENN TSAO | 10/03/96 | scale |
| | | | | | | 1.5:1 | A3 |
| sheet | | revision | | code | | TWN | |
| index | | sheet | | 61716 | | sheet 2 OF | |

PRODUCT NO.
61716-600**
SEE TABLE I

Tous droits strictement réservés. Reproduction ou communication à des tiers sans autorisation écrite du propriétaire. Droits de reproduction BERO ELECTRONICS by



All rights strictly reserved. Reproduction or issue to third parties is only for whatever is not permitted without written authority from the proprietor. Copyright BERO ELECTRONICS by



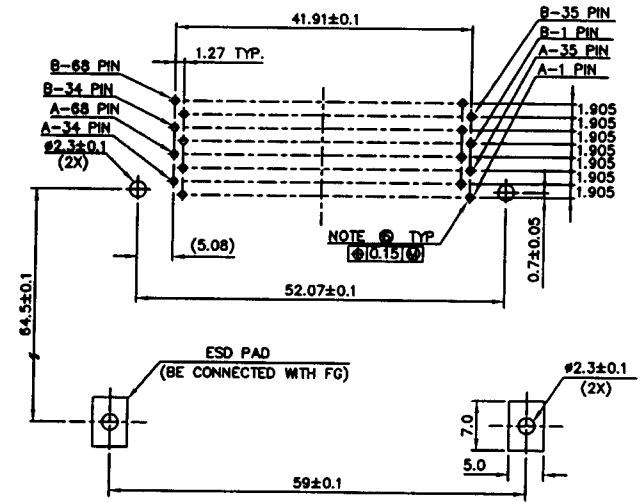
- NOTES:
- EJECT FORCE : 3.5 Kg MAX.
 - EJECT TRAVEL: 8.0mm
 - MATERIAL
 - HEADER ASS'Y:
 - PLASTIC : HOUSING ...LCP UL94V-0 BLACK
 - LOCATOR ...G.F. 6/6 NYLON UL94-V0 BLACK
 - PIN : COPPER ALLOY
 - EJECT MECHANISM ASS'Y:
 - PLASTIC : GUIDE: POLYPHTHARAMID UL94V-0 BLACK
 - PUSH ROD: POLYPHTHARAMID UL94V-0 BLACK
 - PLATE : STAINLESS
 - EMI CONTACT: PHOSPHOR BRONZE
 - FINISH (PIN)
 - UNDER PLATING : 0.5 μm MIN. NI
 - CONTACT AREA : 0.1 μm MIN. GOLD OVER 0.5 μm MIN. Pd-NI
 - SOLDER TAIL : 2.5 μm MIN. Sn-Pb
 - DIM "X"

| | | |
|----------|---------|------------------|
| 4.25±0.1 | 3.5±0.1 | 5.0±0.1 |
| OTHERS | 36,67 | 1,17,34,35,51,68 |

RECOMMENDED DIAMETER IS #1.0, FOR PROCESSES USING PASTE REFLOW, HOLE MAYBE AS SMALL AS #0.79.

7. TABLE I

| * | PUSH ROD COLOR |
|---|----------------|
| A | BLACK |
| H | NATURAL |



| | | | | | | | |
|----------------------|--|--------------------------------------|--|------------|--|---|--|
| mat'l code | | tolerance unless otherwise specified | | CUSTOMER | | ELECTRONICS | |
| rev. ecn no. dr date | | linear ±0.30 | | COPY | | FCI | |
| B | | angles ± 2° | | projection | | title | |
| | | dr WENDY CHEN 03/05/01 | | unit | | DOUBLE EJECTOR HEADER ASS'Y (3.3V) FOR TYPE 1/2/3 | |
| | | enqr MINERVA WANG 03/05/01 | | mm/inch | | product family : PCMCIA | |
| | | chr JOSEPH HSIA 03/05/01 | | scale | | size dwg no. | |
| | | appd JOSEPH HSIA 03/05/01 | | A3 | | 61716 | |
| sheet revision | | index sheet | | code | | TWN | |
| | | | | sheet | | 3 of | |