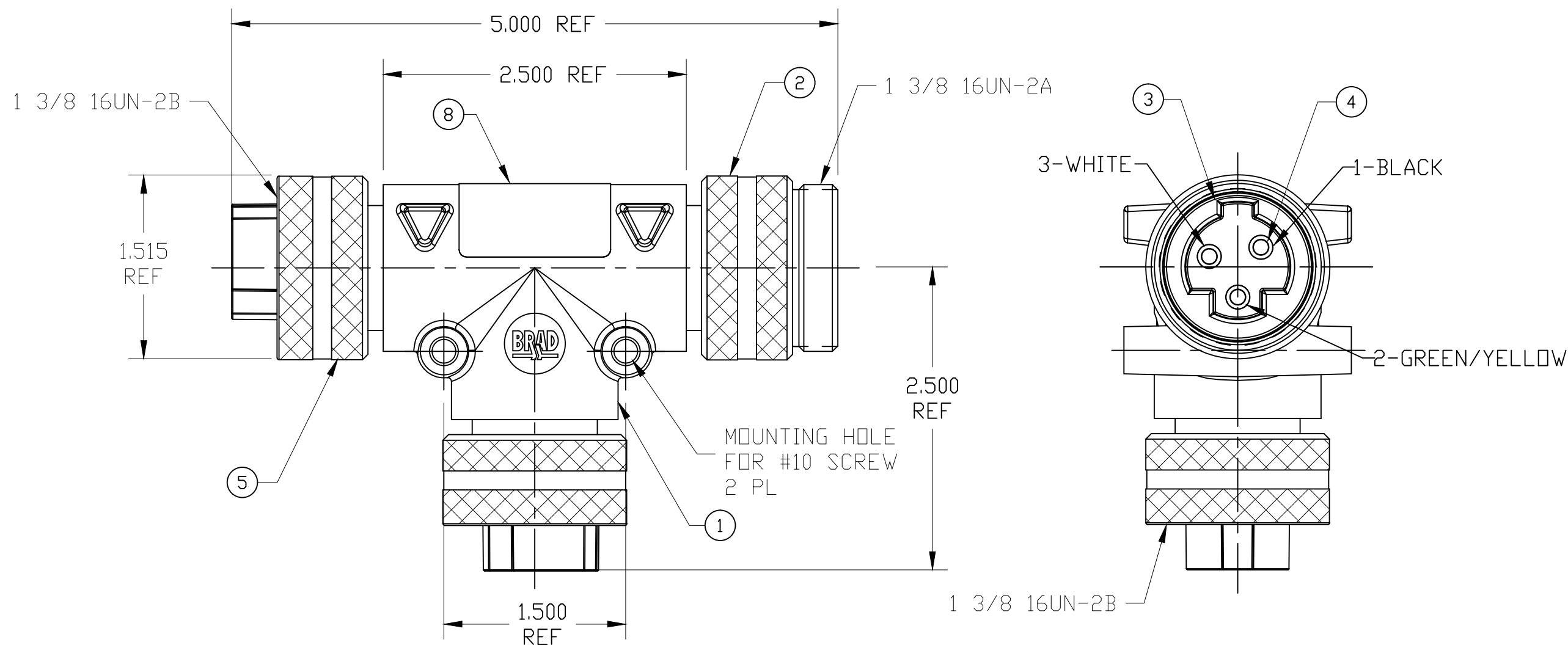
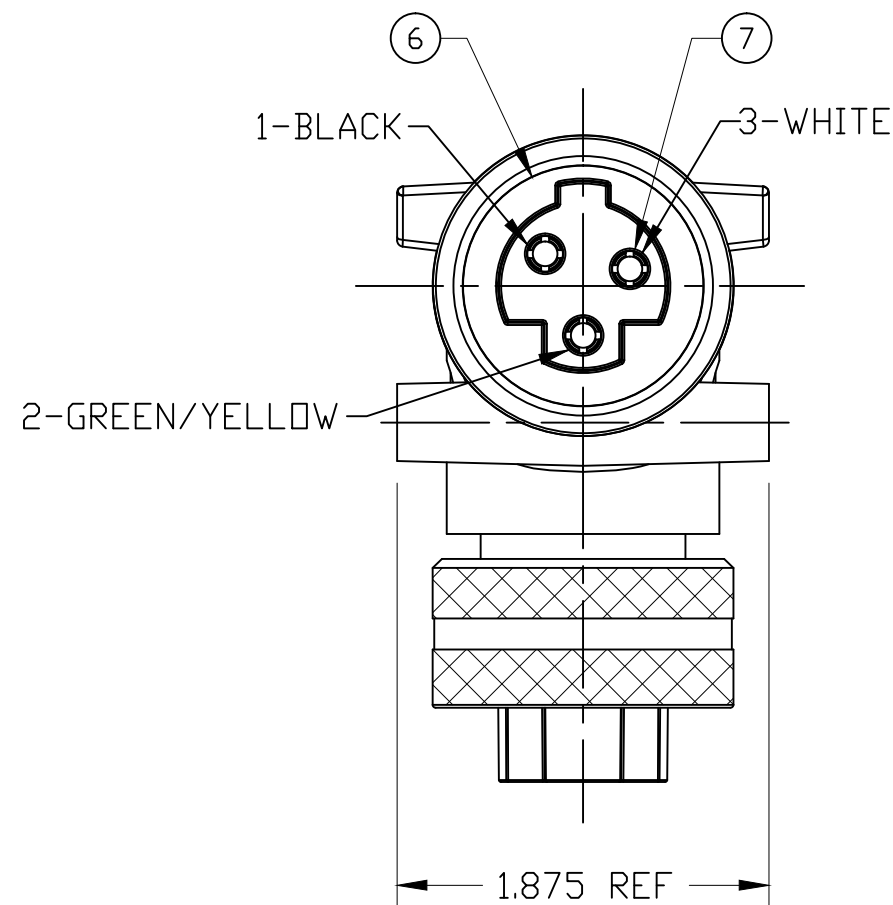
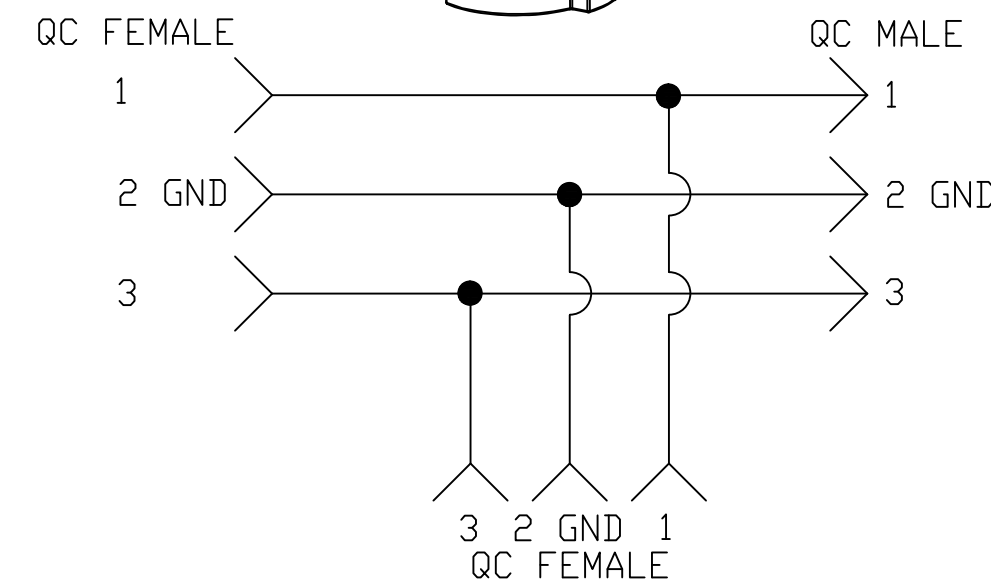
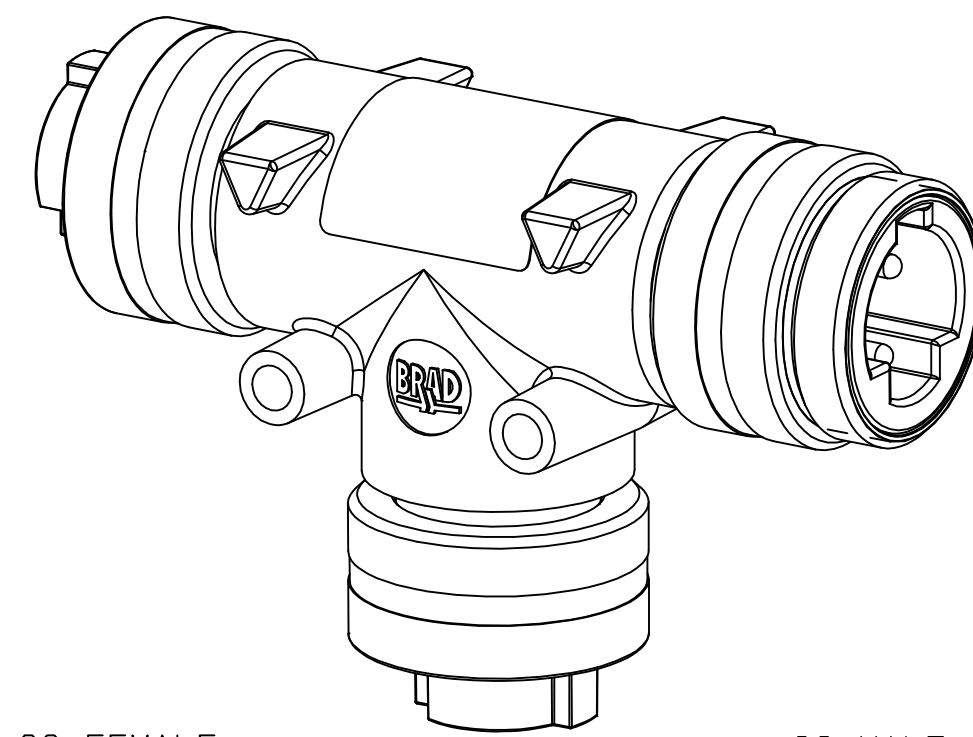
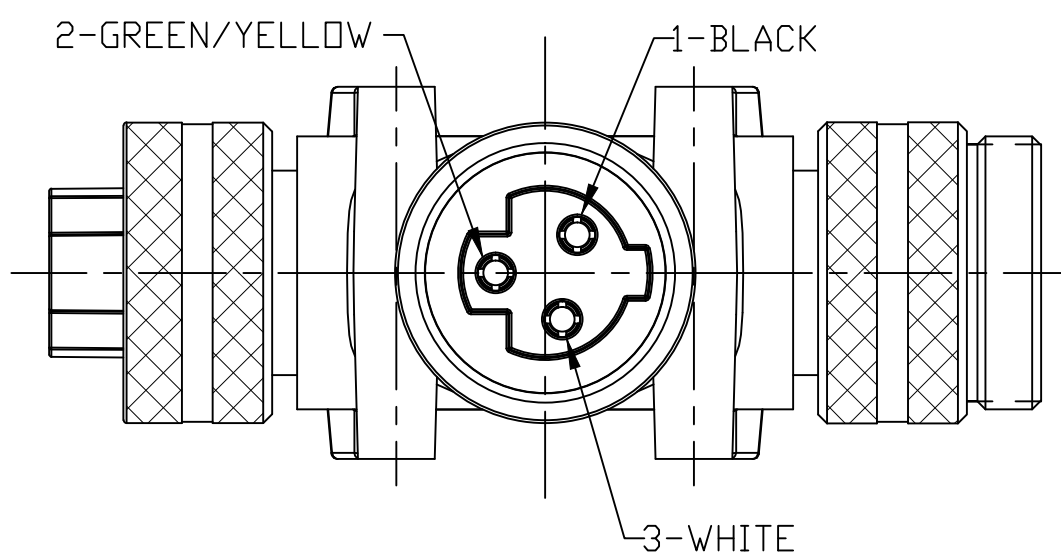


PART NUMBER	ENGINEERING NUMBER
1300680055	TC31C30-200



NOTES:

- MATERIAL: AS NOTED
- FINISH: AS NOTED
- ELECTRICAL:
VOLTAGE: 500V PER IEC60664
600V PER UL2237
MAX THRU CURRENT: 32A
MAX DROP CURRENT: 32A
- TEMP RATING: -20° TO +90°C
- PROTECTION: IP67 (WHEN MATED)
- CERTIFICATION:
UL LISTED/CSA CERTIFIED FILE NO: E258922



WIRE DIAGRAM

8	LABEL	POLYESTER	BLACK/DRANGE
7	QC SOCKET CONTACT	COPPER ALLOY	GOLD PLATED
6	QC FEMALE INSERT	PVC	BLACK
5	QC FEMALE COUPLING NUT	ALUMINUM	BLACK ANODIZE
4	QC PIN CONTACT	COPPER ALLOY	GOLD PLATED
3	QC MALE INSERT	PVC	BLACK
2	QC MALE COUPLING NUT	ALUMINUM	BLACK ANODIZE
1	OVERMOLD	PVC	BLACK
ITEM	DESCRIPTION	MATERIAL	FINISH

REV'D NOTE 3, COLORS EC NO: IPG2017-0829 DRWN: RSTONE 3/2/17 CH'KD: K COX 2017/03/10 APPR: BWOODMAN 2010/01/15	QUALITY SYMBOL	GENERAL TOLERANCES (UNLESS SPECIFIED)	DIMENSION STYLE	SCALE	DESIGN UNITS	THIRD ANGLE PROJECTION
	$\nabla=0$ $\sphericalangle=0$	4 PLACES ±--- ±--- 3 PLACES ±--- ±--- 2 PLACES ±--- ±--- 1 PLACE ±--- ±---	INCH	1:1	INCH	
	DRAFT WHERE APPLICABLE MUST REMAIN WITHIN DIMENSIONS	DRAWN BY DATE KJOZWIK 2010/01/14 CHECKED BY DATE BWOODMAN 2010/01/14 APPROVED BY DATE JFMURPHY 2010/01/15	TITLE BRAD POWER QC 3 POLE TEE W/3 POLE QC DROP			
	MATERIAL NO. SEE TABLE	MOLEX INCORPORATED DOCUMENT NO. SD-130068-008	SHEET NO. 1 OF 1			
SIZE C	THIS DRAWING CONTAINS INFORMATION THAT IS PROPRIETARY TO MOLEX INCORPORATED AND SHOULD NOT BE USED WITHOUT WRITTEN PERMISSION					