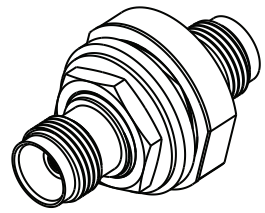
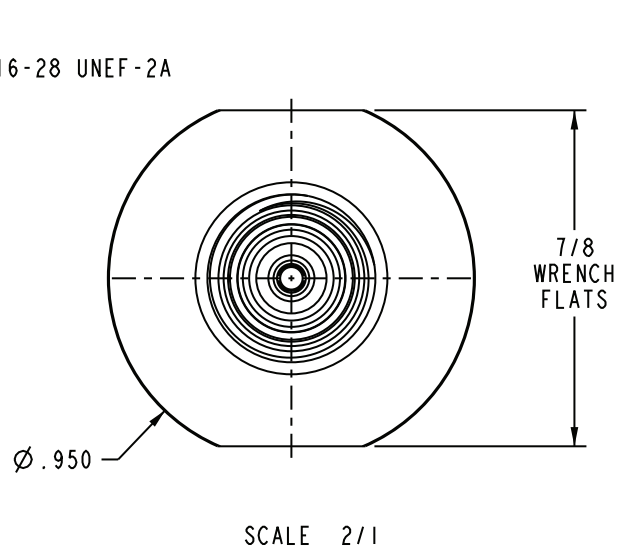
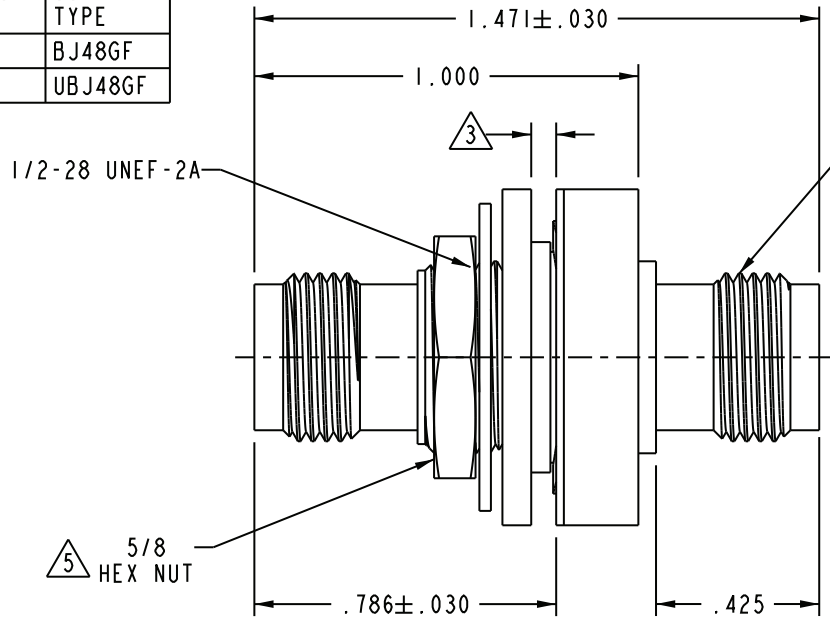


DASH NO	CONN TYPE
-1	BJ48GF
-2	UBJ48GF

DATA CONTAINED IN THIS DOCUMENT IS PROPRIETARY TO EMERSON CONNECTIVITY SOLUTIONS AND SHALL NOT BE DISCLOSED, COPIED OR USED FOR PROCUREMENT OR MANUFACTURE WITHOUT EXPRESS WRITTEN PERMISSION

REVISIONS			
REV	DESCRIPTIONS	DATE	APPROVED
E	ECO 53753	10/19/11	CAA



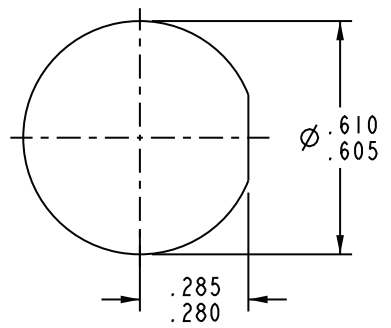
5 TIGHTEN TO 25 INCH-POUNDS MAXIMUM INSTALLATION TORQUE

4. FILTER FUNCTION BETWEEN SHIELD AND CHASSIS:

- (A) VOLTAGE RATING: 200 VDC AT SEA LEVEL AND 25° C
- (B) CAPACITANCE: 4nFD MINIMUM 10nFD MAXIMUM AT 1KHz AND 25° C
- (C) DISSIPATION FACTOR: 5% MAXIMUM AT 1 KHz AND 25° C
- (D) DIELECTRIC WITHSTANDING VOLTAGE: 500 VDC AT SEA LEVEL AND 25° C FOR 1 MINUTE
- (E) INSULATION RESISTANCE: 1 G- OHM MINIMUM AT 200 VDC AND 25° C
- (F) RF INSERTION LOSS (FILTER PERFORMANCE) : WHEN MEASURED PER MIL-STD-220 ON A SWEEP FREQUENCY RESPONSE BASIS (WITH 1/2 AMP DRIVEN CURRENT IN 50 OR 75 OHM) INSERTION LOSS SHALL BE AS FOLLOWS:

FREQUENCY (MHZ)	(ATTENUATION MINIMUM dB AT 25° C)
1	1
3	2
10	8
30	16
100	30
300	30
1000	30

- 1 SHOWN




RECOMMENDED  
PANEL CUTOUT  
SCALE 2/1

3 MAXIMUM PANEL THICKNESS .094

2. FINISH: TFS-1A (NICKEL)

1. 50 & 75 OHM BNC COAXIAL BULKHEAD MOUNT FEED THRU RECEPTACLE WITH GROUND FILTERING CAPACITOR

NOTES: UNLESS OTHERWISE SPECIFIED.

INTERPRET DRAWING PER MIL-STD-100. DIMENSIONS ARE IN INCHES AND INCLUDE FINISH THICKNESS UNLESS OTHERWISE SPECIFIED.		TOL: UNLESS SPECIFIED. .XX ± .02 .XXX ± .010 ANGLE ± 1°		 Cinch Connectivity Solutions 299 Johnson Ave. Ste. 100 Waseca, MN 56093 1-800-247-8256	
DRW BPK 10/24/11	CHK CAA 10/19/11	MATERIAL:			
N/A		FINISH:		TITLE:  <h2 style="text-align: center;">U/B J48GF</h2>	
BLANK LENGTH (REF. ONLY)		MANUF			
N/A		APPROVED		SIZE A	CAGE CODE 14949
SURFACE AREA		PROF TITLE NO. 1-0485		DO NOT SCALE DWG	SCALE 2/1
		DATE 5/28/86		SHEET 1 OF 2	REV. E