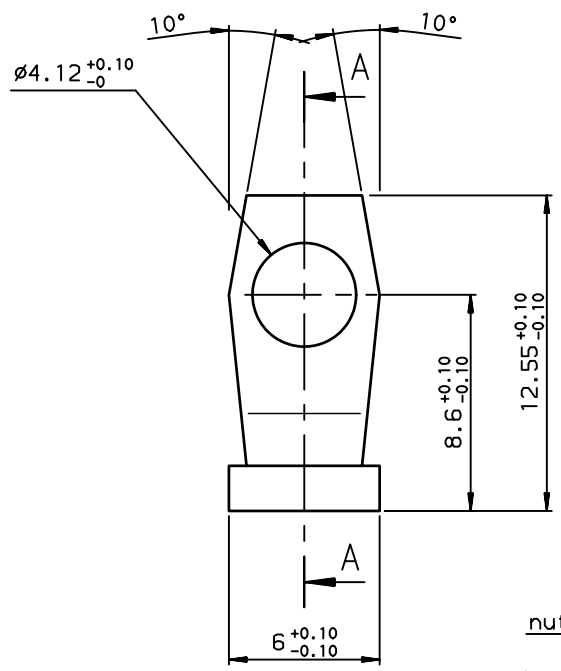
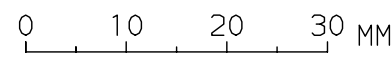
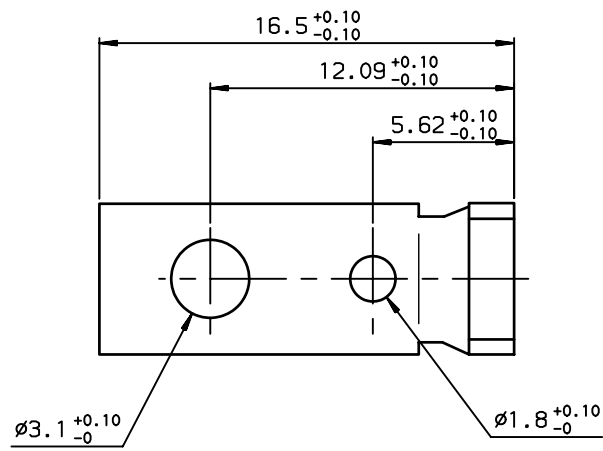
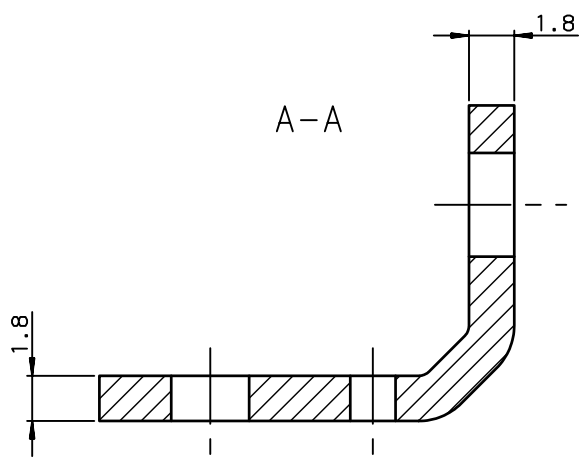


Copyright FCJ.

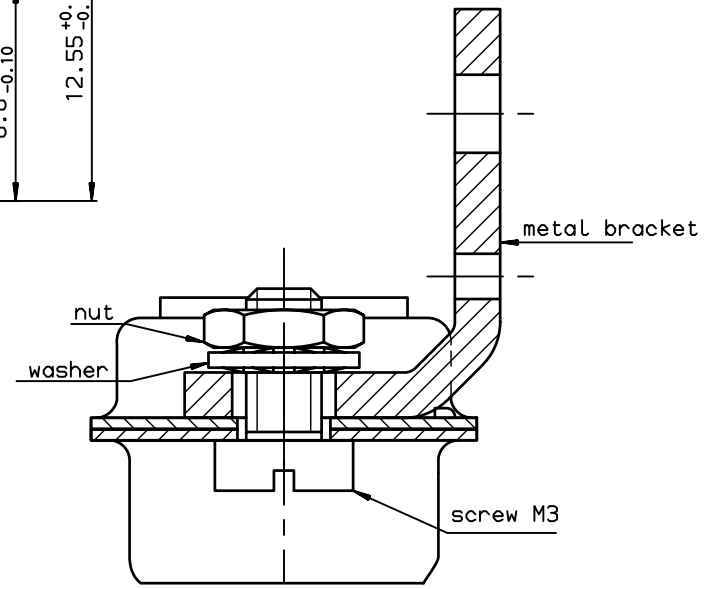


MATERIAL:
Steel . Cadmium plating

TEMPERATURE RANGE:
-Climatic category: -55° / +125°

PACKAGING:
Per 100 pieces

BRACKET MOUNTING



Part number: **86552009**

European Views

www.fciconnect.com		surface ISO 1302 ✓	tolerance std ISO 406 ISO 1101	projection mm
TOLERANCES UNLESS OTHERWISE SPECIFIED				
ANGULAR	LINEAR	0.X	±0.1	size A3
0.XX' ±2°		0.XX	±0.1	Scale 5
		0.XXX	±0.1	ECN LS09-0006
Dr	JOUBERT	2003/02/20	Product family	D-SUB
Eng	PESSON	2003/02/20	Spec ref	-
Chr	LEGARE	2003/02/20		
Appr	LEGARE	2003/02/20		
rev	ecn no	dr	date	
A	-	JOU	2003/02/20	
B	LS06-0097	LGO	2006/07/28	
C	LS09-0006	PCR	2009/01/08	
-	-	-	-	
-	-	-	-	
-	-	-	-	
-	-	-	-	
title METAL BRACKETS		dwg no C01-8655-1575		Rev. C
D SUB ACCESSORIES		CUSTOMER		sheet 1 of 1
catalog no				