

4

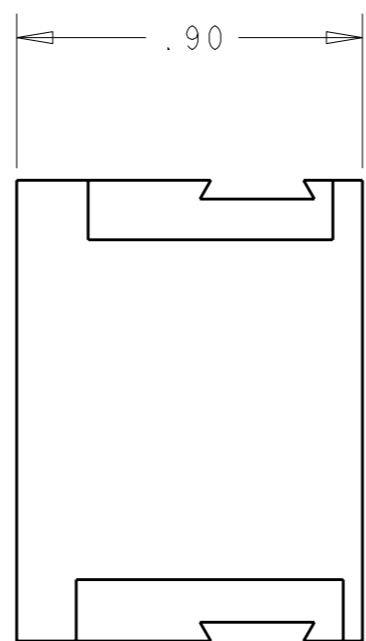
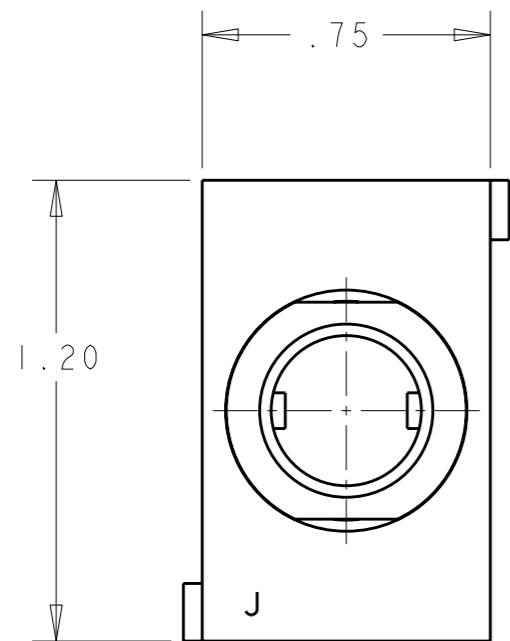
3

2

1

THIS DRAWING IS UNPUBLISHED. RELEASED FOR PUBLICATION 20  
 © COPYRIGHT 20 BY TYCO ELECTRONICS CORPORATION. ALL RIGHTS RESERVED.

LOC	DIST	REVISIONS			
P	LTR	DESCRIPTION	DATE	DWN	APVD
GP	00	A	NEW RELEASE	14DEC2007	RG DO



- PART NUMBER CHANGES AND/OR DESIGN CHANGES AFFECTING ITEM INTERCHANGEABILITY REQUIRE PRIOR TYCO ELECTRONICS APPROVAL AND AUTHORIZATION BY REVISION TO THIS DRAWING.
- ITEMS PROVIDED TO THIS SPECIFICATION TO BE PERMANENTLY IDENTIFIED ON THE CONTAINER PER THE FOLLOWING IDENTIFIER:

TYCO ELECTRONICS P/N: XXXXXXXX-X  
 DATE CODE (e.g. 0212): YEAR 1 WEEK 1  
 XXXX

AS SHOWN	6650679-1
DESCRIPTION	PART NO.

<small>THIS DRAWING IS A CONTROLLED DOCUMENT FOR TYCO ELECTRONICS CORPORATION. IT IS SUBJECT TO CHANGE AND THE CONTROLLING ENGINEERING ORGANIZATION SHOULD BE CONTACTED FOR THE LATEST REVISION.</small>		DWN R. GRZYBOWSKI 14DEC2007 CHK D. ORRIS 14DEC2007 APVD S. FLICKINGER 14DEC2007		<b>Tyco Electronics</b> Tyco Electronics Harrisburg, PA 17105-3608	
DIMENSIONS: INCHES 		TOLERANCES UNLESS OTHERWISE SPECIFIED: 0 PLC ±- 1 PLC ±.02 2 PLC ±.01 3 PLC ±- 4 PLC ±- ANGLES ±-		NAME: J MODULE SOCKET ASSY HOUSING PRODUCT SPEC: - APPLICATION SPEC: -	
MATERIAL: - FINISH: -		WEIGHT: - CUSTOMER DRAWING		SIZE: A3 CAGE CODE: 00779 DRAWING NO: C-6650679 RESTRICTED TO: -	
SCALE: 2:1				SHEET 1 OF 1 REV A	

**ELCON** **DOMINO**