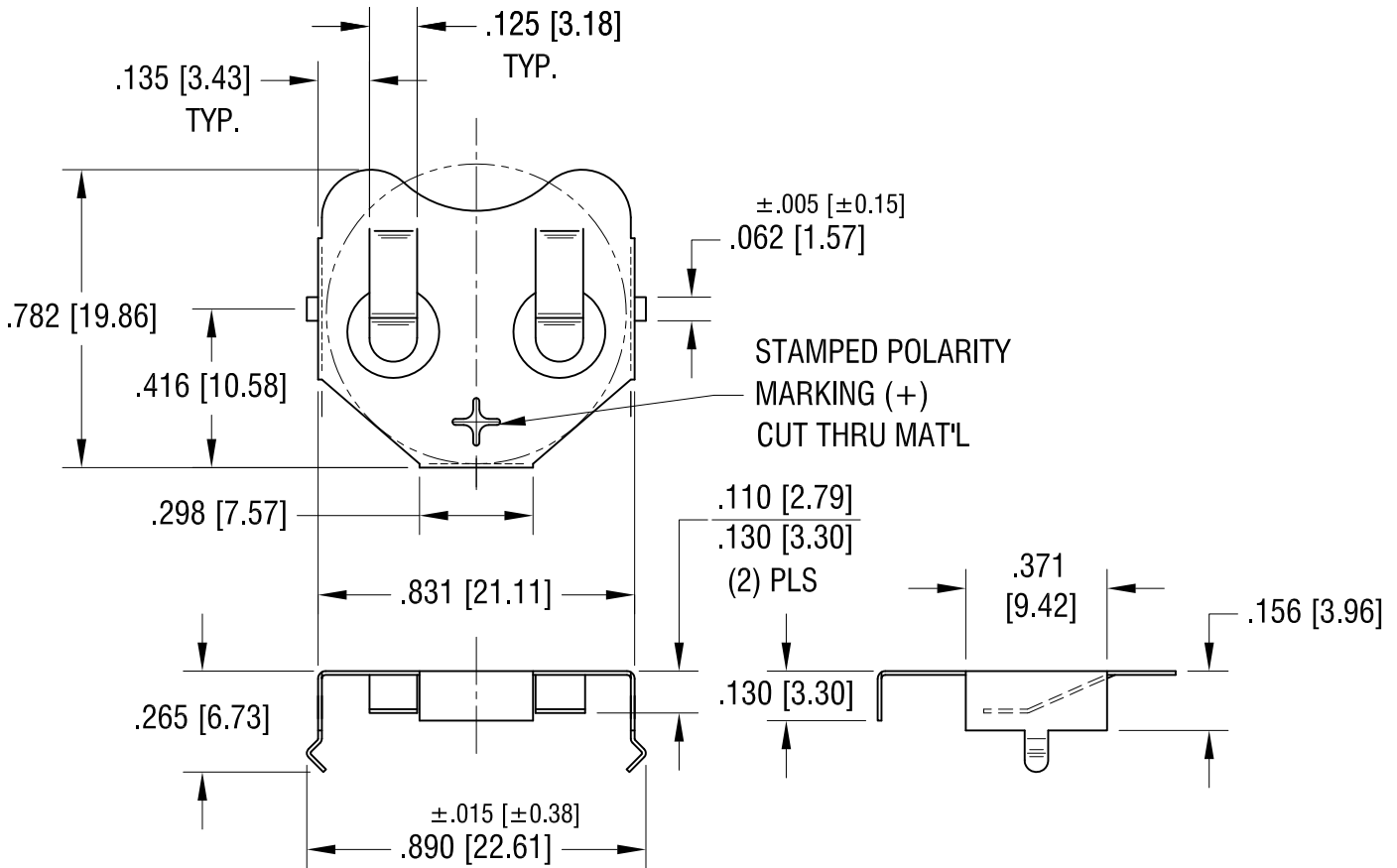
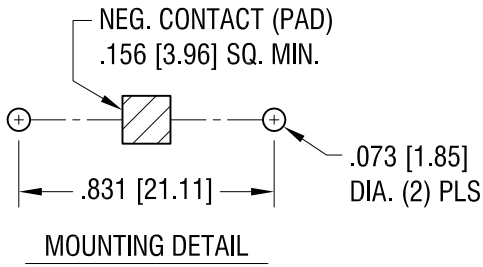
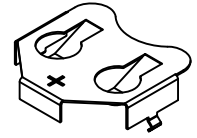


THIS DOCUMENT IS THE PROPERTY OF
KEYSTONE ELECTRONICS CORP. AND
SHALL NOT BE REPRODUCED, DISTRIBUTED
OR USED AS A BASIS FOR MANUFACTURE
WITHOUT PRIOR WRITTEN PERMISSION
FROM KEYSTONE ELECTRONICS CORP.

ACTUAL SIZE



KEYSTONE ELECTRONICS CORP.

www.keyelco.com • ASTORIA, N.Y. 11105-2017 • Tel (718) 956-8900

PART NAME

20mm PC COIN CELL CLIP

MATERIAL

.010 [0.25] TH'K PHOSPHOR BRONZE

FINISH

TIN NICKEL PLATE

DRN BY BOONE

DATE 10.14.94

APP'D LN

SCALE 2X

TOLERANCES INCH [MM]
DECIMAL ±.010 [±0.25]
ANGULAR ± 1°
UNLESS OTHERWISE SPECIFIED

CODE
C

DWG NO.

3003

5.04.16	CHANGE AS PER ECN 16-051	N
1.28.08	CHANGE AS PER ECN 08-055	M
DATE	DESCRIPTION	REV.